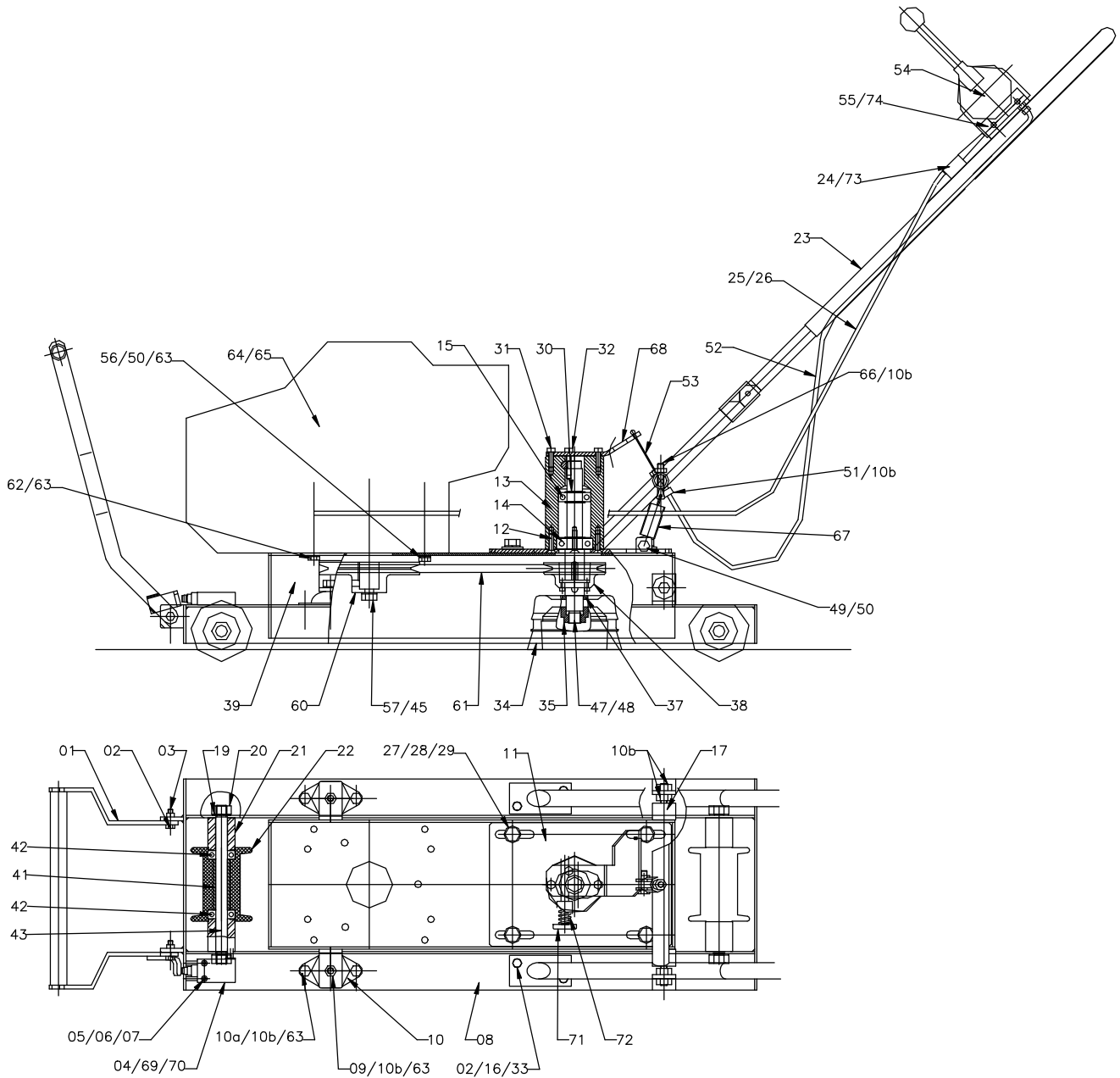
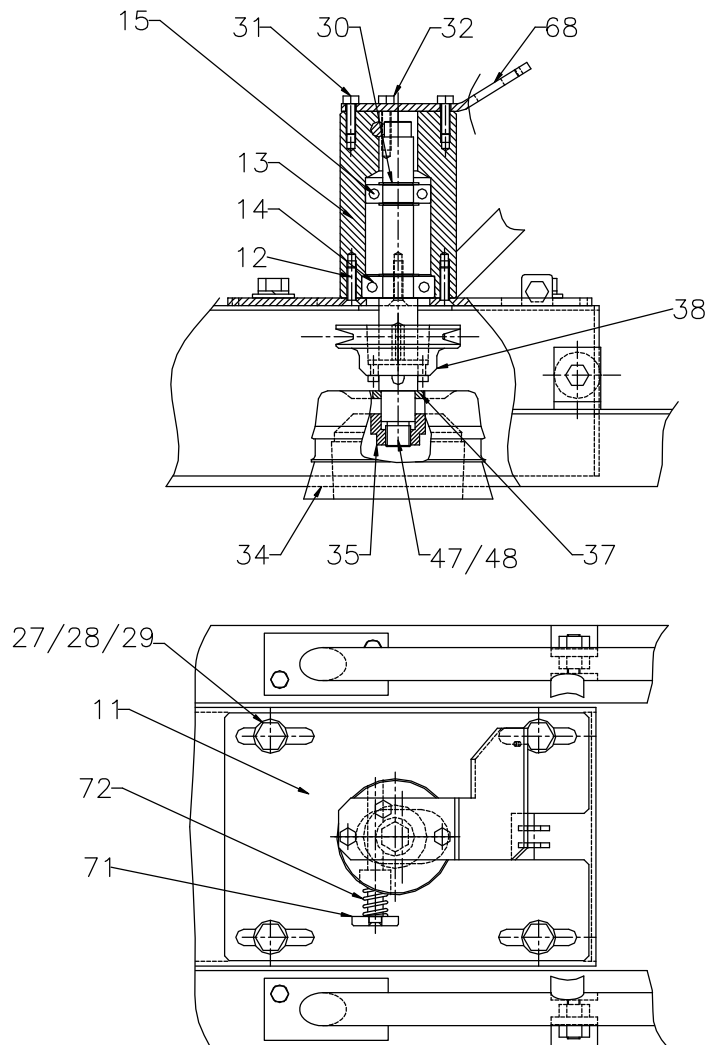




VIII – LISTE DES PIECES DETACHEES SPARE PARTS LIST



| Rep | Ref | Qty | Désignation | Description |
|-----|----------|-------|--------------------------------|---------------------------------|
| 1 | 35910069 | 1 | Poignée de sécurité électrique | Electrical safety device handle |
| 2 | 41006015 | 6 | Vis HM 6 X 20 | Screw HM 6 X 20 |
| 3 | 40906006 | 2 | Ecrou HM6 Nylstop | Nut HM6 |
| 4 | 47802002 | 1 | Interrupteur | Switch |
| 5 | 41004008 | 2 | Vis CHc M4 X 25 | Screw CHc M4 X 25 |
| 6 | 41104003 | 2 | Rondelle M4N | Washer M4N |
| 7 | 40904002 | 2 | Ecrou HM4 Nylstop | Nut H M4 |
| 8 | 35910255 | 1 | Châssis principal | Main frame |
| 9 | 41008015 | 2 | Vis HM 8 X 40 | Screw HM 8 X 40 |
| 10 | 47310001 | 2 | Plot | Elastic plug |
| 10a | 41008008 | 4 | Vis HM 8 X 16 | Screw HM 8 X 16 |
| 10b | 40908004 | 8 | Ecrou HM8 | Nut HM8 |
| 16 | 40906006 | 4 | Ecrou HM6 | Nut HM6 |
| 17 | 47330001 | 2 | Plot | Elastic plug |
| 19 | 41114003 | 4 | Rondelle éventail de 14 | Washer |
| 20 | 40914003 | 4 | Ecrou HM14 | Nut HM14 |
| 21 | 31210002 | 4 | Bossage | Spacer |
| 22 | 31270001 | 2 | Galet | Roller |
| 23 | 35910070 | 1 | Ensemble poignée pliante | Folding arm |
| 24 | 47401001 | 1 | Manette des gaz | Engine control lever |
| 25 | 44901001 | 1 | Câble Ø 1.2 | Cable Ø 1.2 |
| 26 | 44902001 | 1 | Gaine pour câble | Cable hose |
| 33 | 41106001 | 4 | Rondelle W6 | Washer W6 |
| 39 | 35910256 | 1 | Châssis articulé | Articulated frame |
| 41 | 31210106 | 2 | Entretoise de galet | Roller spacer |
| 42 | 44010015 | 4 | Roulement 6202 – 2RS | Ball bearing 6202 – 2RS |
| 43 | 31110046 | 2 | Axe de galet | Roller axis |
| 49 | 41008036 | 1 | Vis HM8 X 25 | Screw HM8 X 25 |
| 50 | 40908001 | 1 | Ecrou HM8 | Nut HM8 |
| 51 | 31110202 | 1 | Vis de réglage | Adjusting screw |
| 52 | 44902003 | 0.85m | Gaine Ø 3.2 / 5.7 | Cable hose Ø 3.2 / 5.7 |
| 53 | 44901004 | 2.5 m | Câble 19 brins Ø 2.5 | Cable Ø 2.5 |
| 54 | 47401008 | 1 | Manette de descente de brosse | Lowering lever for brush |
| 55 | 41008009 | 2 | Vis F/90 Hc M8 x 16 | Screw F/90 Hc M8 x 16 |
| 56 | 41008015 | 2 | Vis HM 8 X 40 | Screw HM 8 X 40 |
| 57 | 41099010 | 1 | Vis H 7/16" Lg ¾" 20 UNF | Screw H 7/16" ¾" long 20 UNF |
| 58 | 41108003 | 2 | Rondelle M10N | Washer M10N |
| 60 | 31210329 | 1 | Poulie motrice | Driving pulley |
| 61 | 44801003 | 1 | Courroie trapézoïdale XPZ 850 | Trapezoidal belt XPZ 850 |
| 62 | 41099001 | 2 | Vis H 5/16" Lg ¾" 24 UNF | Screw H 5/16" ¾" long 24 UNF |
| 63 | 41108004 | 12 | Rondelle W8 | Washer W8 |
| 64 | 47002028 | 1 | Moteur HONDA GXV 160 | HONDA GXV 160 engine |
| 65 | 41403002 | 1 | Clavette disque 4 x 6,5 | Woodruff key 4 x 6,5 |
| 66 | 31110194 | 1 | Tige de réglage | Adjusting rod |
| 67 | 47201008 | 1 | Ressort de traction | Spring |
| 68 | 34910105 | 1 | Support de câble | Cable support |
| 69 | 47801057 | 1 | Cosse | Spade terminal |
| 70 | 47801014 | 1 | Cosse à œillet | Eye Spade terminal |



| Rep. | Ref | Qty | Désignation | Description |
|------|----------|--------|-----------------------------------|-------------------------|
| 11 | 31910247 | 1 | Support de palier d'axe de brosse | |
| 12 | 41006040 | 4 | Vis F/90 Hc M6 x 25 | Screw Hc M6 x 25 |
| 13 | 31210388 | 1 | Palier d'arbre de brosse | Brush shaft bearing |
| 14 | 44010033 | 1 | Roulement 6204 2RS | Ball bearing 6204 2RS |
| 15 | 44010037 | 1 | Roulement 6004 2RS | Ball bearing 6004 2RS |
| 27 | 41010003 | 4 | Vis HM 10 x 25 | Screw HM 10 x 25 |
| 28 | 41110002 | 5 | Rondelle W10 | Washer W10N |
| 29 | 41110003 | 1 | Etiquette port de lunette | Safety label |
| 30 | 41802014 | 3 | Circlips Ø 20 | Circlips Ø 20 |
| 31 | 41006003 | 2 | Vis HM 6 x 16 | Screw HM 6 x 16 |
| 32 | 41006048 | 1 | Vis HM 6 x 25 | Screw HM 6 x 25 |
| 34 | 47902003 | 1 | Brosse métallique | Metallic brush |
| 35 | 31210024 | 1 | Ecrou de serrage de la brosse | Brush tightening nut |
| 37 | 31210103 | 1 | Rondelle d'appui pour brosse | Brush supporting washer |
| 38 | 45102001 | 1 | Poulie Magic grip | Magic grip pulley |
| 47 | 47401015 | 0.045m | Barreau Clavette 8x7 | Key 8x7 |
| 48 | 31110213 | 1 | Axe porte brosse | Brush axle |
| 68 | 34910105 | 1 | Support de câble | Cable support |
| 71 | 31210389 | 1 | Ensemble doigt de blocage | Clamping set |
| 72 | 47202001 | 1 | Ressort de compression | Spring |