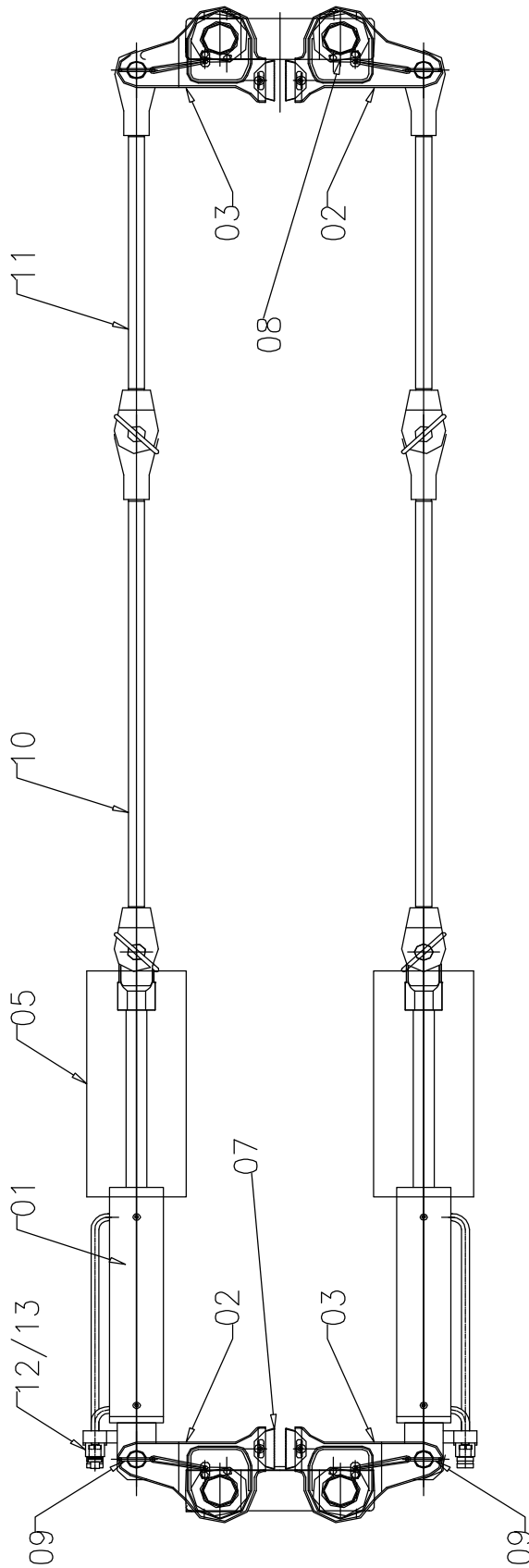
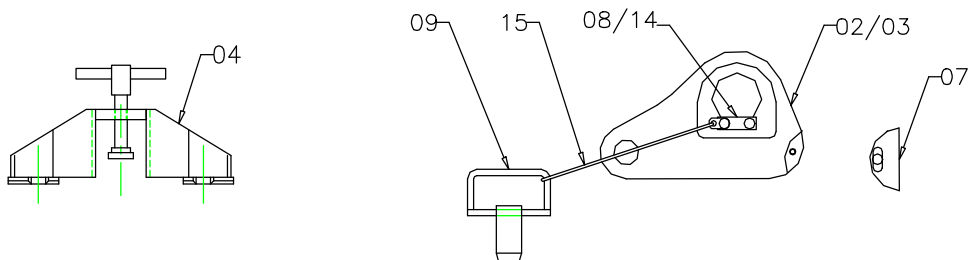


VII - PIECES DETACHEES / SPARE PARTS

	Désignation	Page	Description
A	Tendeur TR75	45	<i>Hydraulic rail stretcher TR75</i>
B	Constituants du tirant	47	Components of the tie-rod
C	Groupe hydraulique	49	Hydraulic unit
D	Pompe manuelle	63	Manual pump
E	Appareillage hydraulique	70	Hydraulic fittings
F	Pochette de maintenance	70	Recommended maintenance set

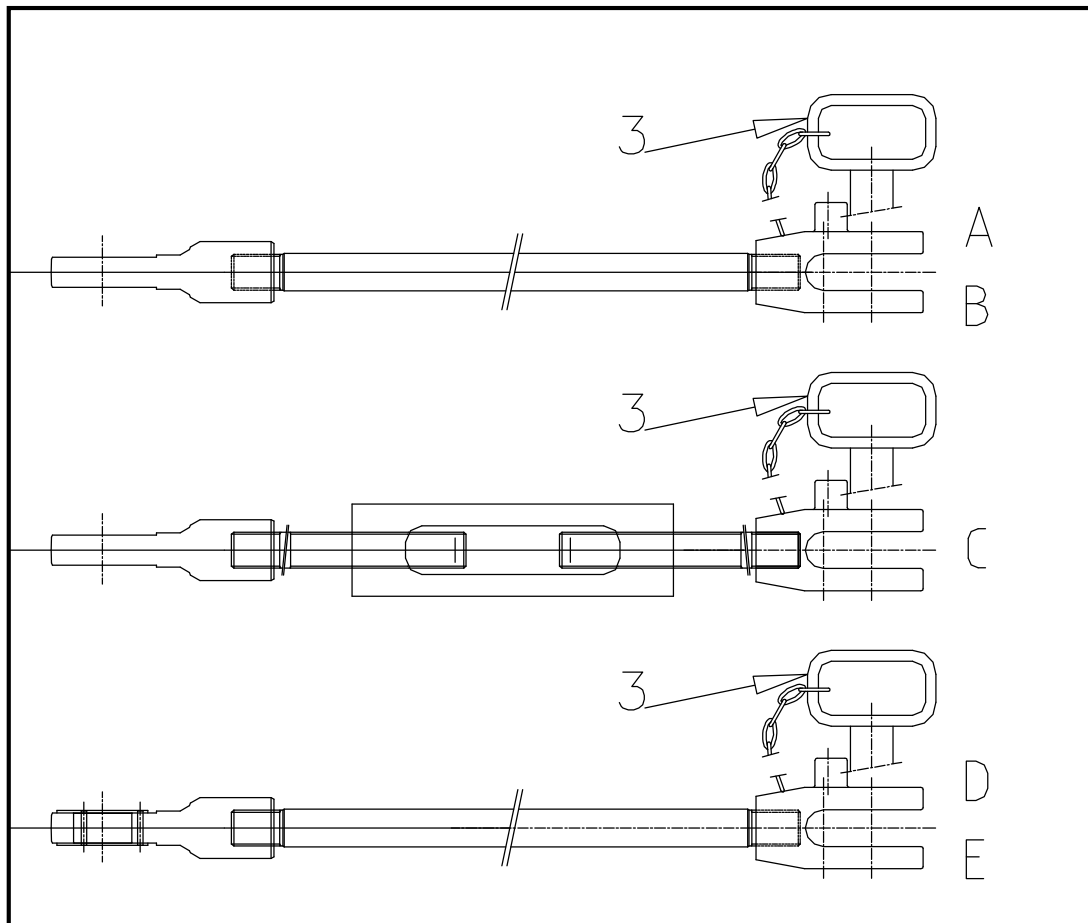


Rep.	Ref	Qty	Désignation	Description
1	21121060	2	Vérin hydraulique double effet équipé avec chape et coupleurs plats	Hydraulic Jack double action with cap
	21121049	2	Came droite allégée complète comprenant chacune :	Right light tightening cam including each one :
2	32910013	1	came de serrage allégée	Light tightening cam
7	21121009	1	Mâchoire avec vis et coupelle	Jaw with rubber cup and screw
8	31910276	1	Clavette de came	Cam key
9	35910378	1	Broche de came	Cam locking pin
14	31910279	1	Patte d'accrochage poignée	Cam locking pin fixing piece
15	44901010	1	Corde Nylon	Nylon rope
	21121050	2	Came gauche allégée complète comprenant chacune :	Left light tightening cam including each one :
3	32910013	1	came de serrage allégée	Light tightening cam
7	21121009	1	Mâchoire avec vis et coupelle	Jaw with rubber cup and screw
8	31910276	1	clavette de came	Cam key
9	35910378	1	Broche de came	Cam locking pin
14	31910279	1	Patte d'accrochage poignée	Cam locking pin fixing piece
15	44901010	1	Corde Nylon	Nylon rope
4	21121004	2	Etrier de serrage du « C »	« C » adjustment stirrup
5	35910001	2	Tunnel de protection	Protection
10	11121002	1	Tirant 1m800	Tie rod 1m800
11	11121003	1	Tirant 1m200	Tie rod 1m200
12	31930039	2	Protection des coupleurs de vérin	Hydraulic jack couplings protector
13	41008044	8	Vis HM8x50	Screw HM8x50
	21121016	1	Châssis pompe hydraulique avec	Hydraulic pump frame with fittings
			Accessoires (non représenté)	(not represented)



Recommandation pour l'utilisation des tirants isolés D et E

Pour éviter la détérioration de l'isolation ne pas les utiliser à plus de 150 bar de pression (pression au manomètre de la pompe).



Recommendation when using insulated tie-rods D and E

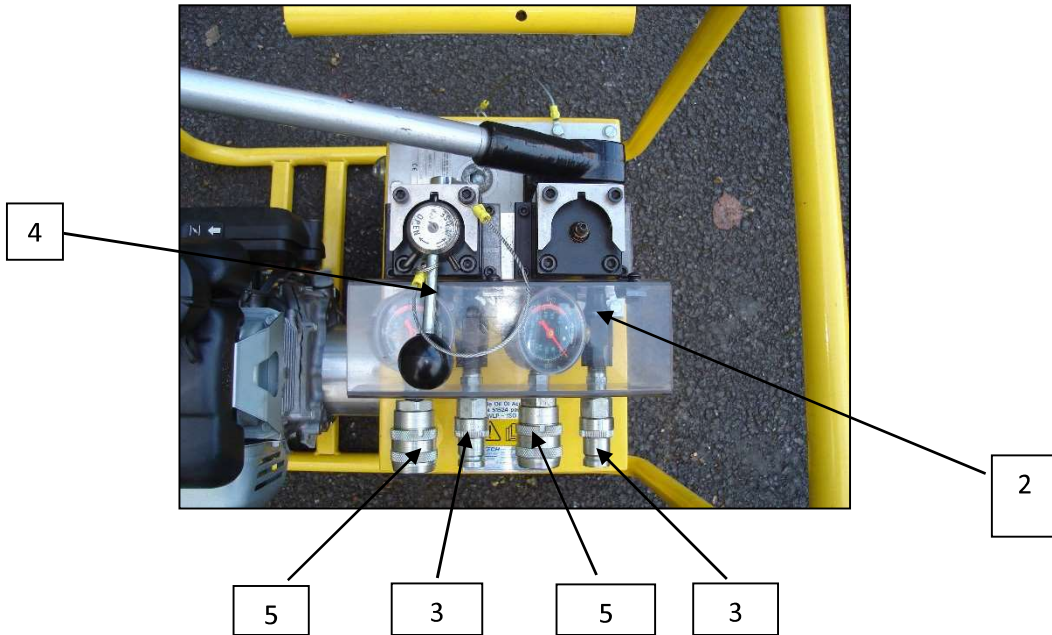
To avoid damage of the insulating piece don't use them over a pressure of 150 bar (pressure on the pump gauge).

Nota : Il est souvent conseillé de travailler avec 2 tirants de 1.800m et 2 tirants de 1.200m
(Working with two 1.800 m and two 1,200 m tie-rods is often recommended)

Rep.	Ref	Qty	Désignation	Description
			TIRANTS	TIE RODS
A	11121002	Le jeu (the set)	- LONGUEUR 1m800	- 1.800 m LENGTH
3	31110019	1	Broche avec chaîne	Locking pin and chain
B	11121003	Le jeu (the set)	- LONGUEUR 1m200	- 1.200 m LENGTH
3	31110019	1	Broche avec chaîne	Locking pin and chain
C	11121004	Le jeu (the set)	- LONGUEUR 1m200 REGLABLE A 1m600	- ADJUSTABLE TIE-ROD 1m200 TO 1m600
3	31110019	1	Broche avec chaîne	Locking pin and chain

Rep.	Ref	Qty	Désignation	Description
			TIRANTS ISOLÉS	INSULATED TIE RODS
D	11121005	Le jeu (the set)	LONGUEUR 1m800	1.800 m
3	31110019	1	Broche avec chaîne	Locking pin and chain
E	11121006	Le jeu (the set)	LONGUEUR 1m200	1.200 m LENGTH
3	31110019	1	Broche avec chaîne	Locking pin and chain

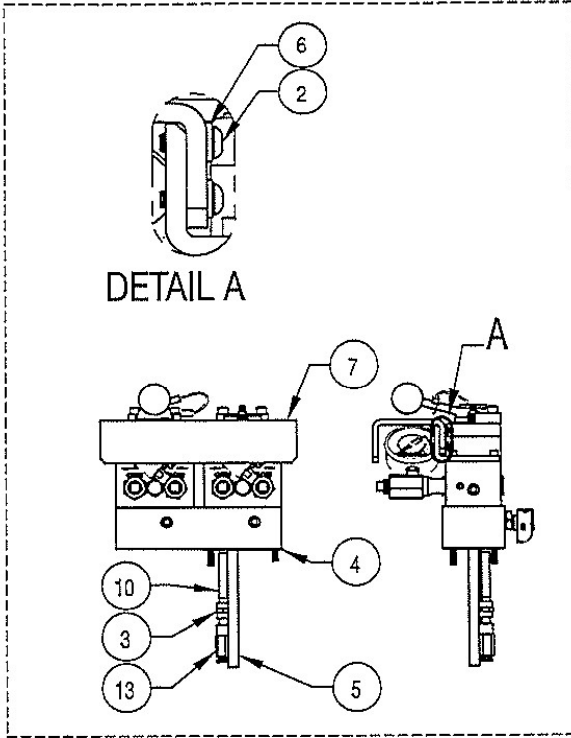
Les pièces entrant dans la composition du tirant sont indissociables, elles ne peuvent être fournies séparément
(Tie rods components are inseparable, they cannot be sold separately)



Rep	Réf	Qté	Désignation	Description
1	47103008	1	Groupe hydraulique motorisé	Motorized hydraulic set
2	47701017	2	Mamelon série 6000 3/8 NPT M/M	Connection fitting 6000 3/8 NPT M/M
5	47702012	2	Coupleur femelle 3/8 NPT PS 700 bar	Female coupling 3/8 NPT PS 700 Bar
4	47701010	1	Levier de distributeur	
3	47702013	2	Coupleur mâle 3/8 NPT PS 700 bar	Male coupling 3/8 NPT PS 700 bar

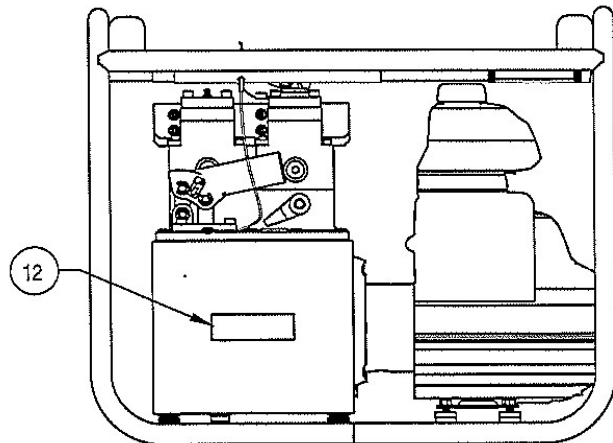
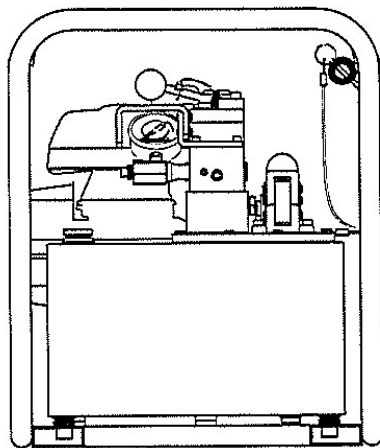
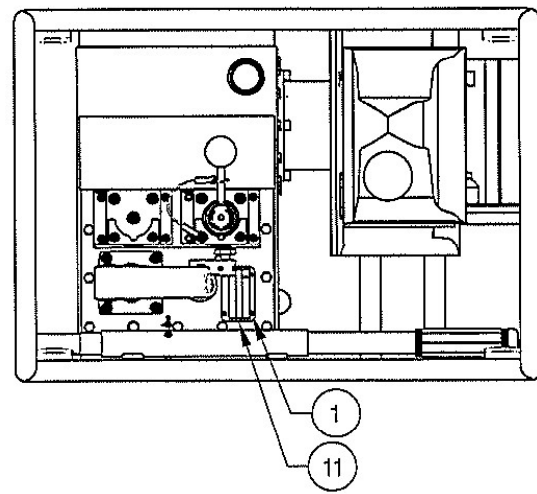
GAS HYDRAULIC PUMP

Maximum Capacity: 10,000 PSI
dB(A) at Idle and 700 Bar = 81/96
(See Page 13 for Hydraulic Schematic)



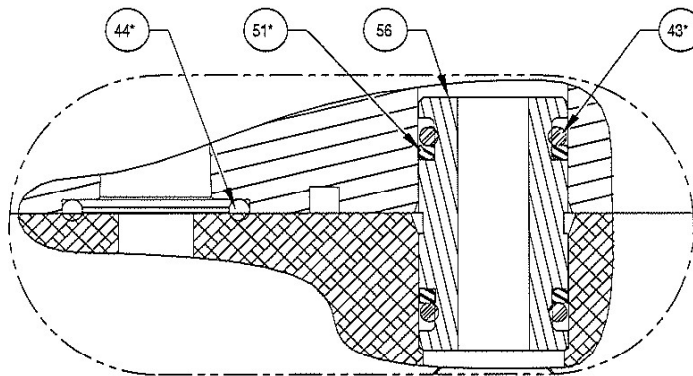
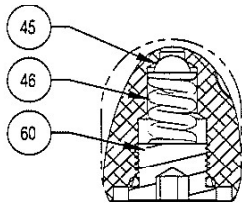
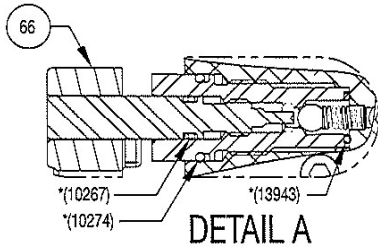
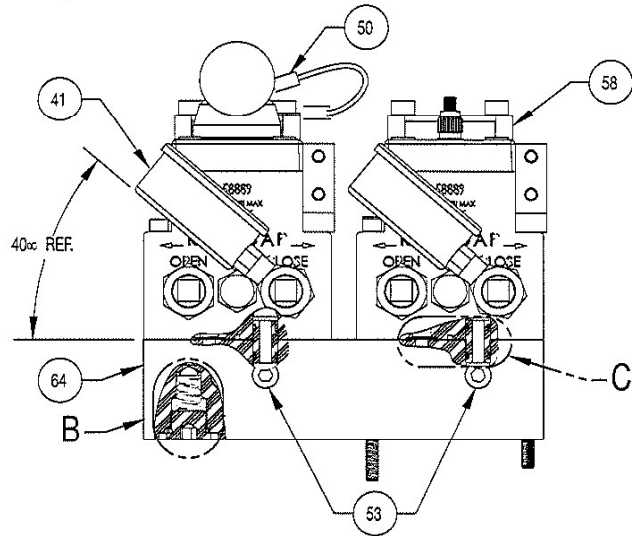
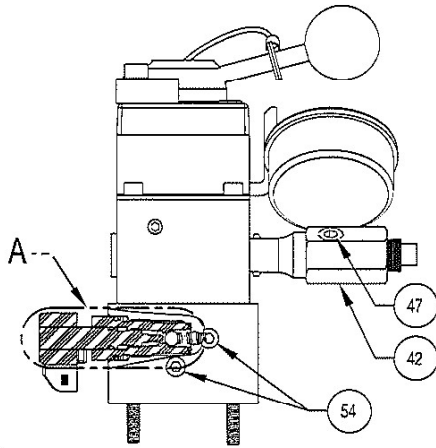
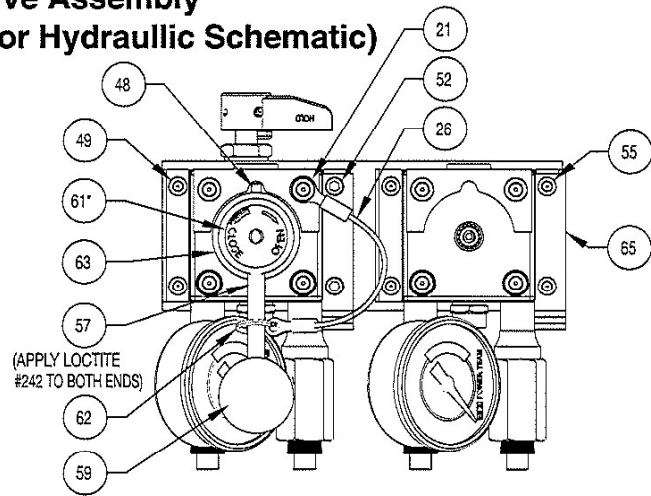
DETAIL A

SEE VALVE ASSEMBLY
PAGE FOR MORE DETAILS



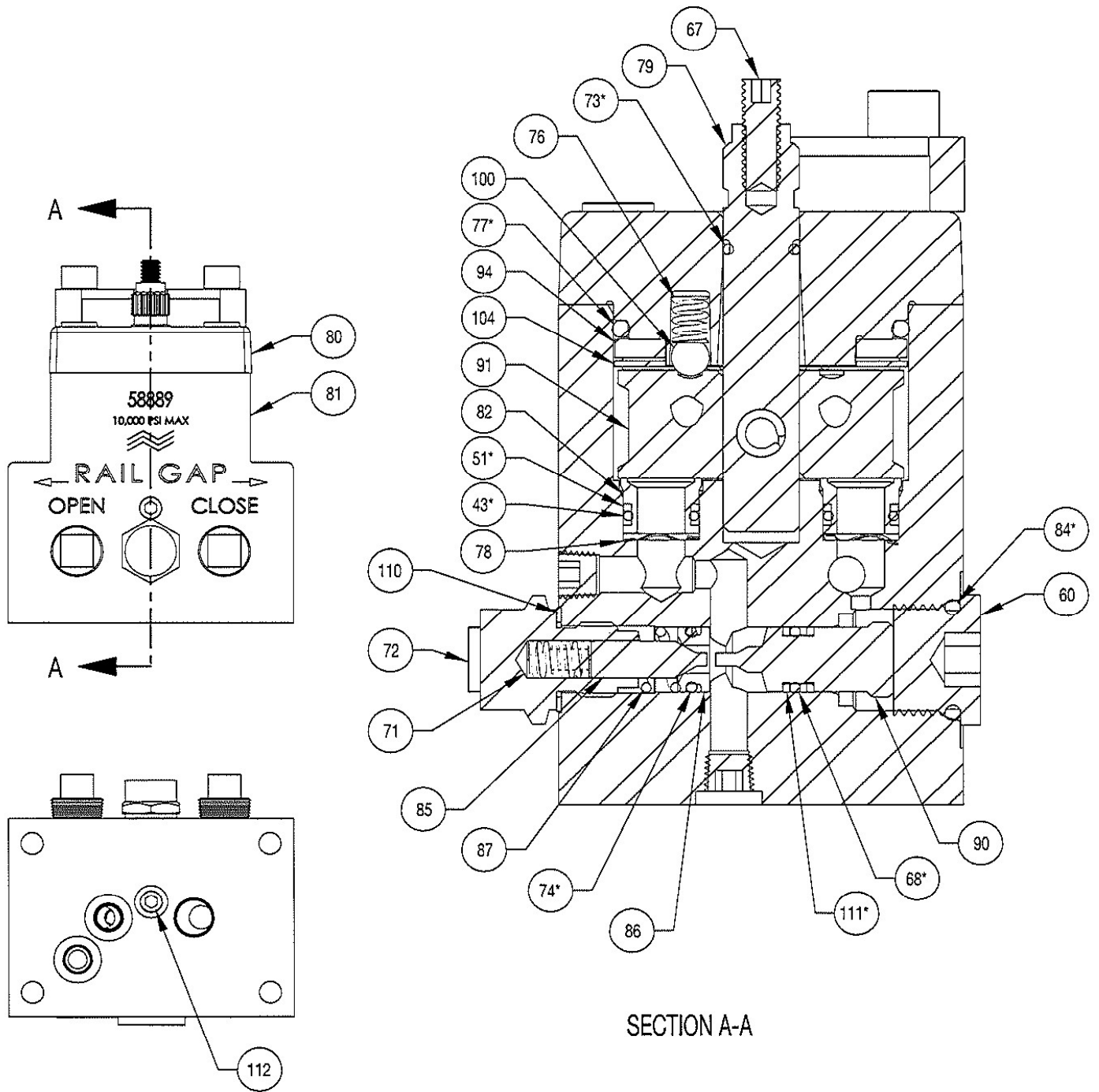
Valve Assembly (See page 14 for Hydraulic Schematic)

- HANDLE ASSEMBLY INSTRUCTIONS**
(ITEM # 66 SPX PART #3000343)
1. TURN THE STEM INTO THE MANIFOLD BODY UNTIL THE STEM AND BALL JUST MEET (THE BALL MUST BE AGAINST THE SEAT).
 2. BACK THE STEM OUT 15 TO 20
 3. LEAVE ENOUGH GAP (APPROX. 9/16" [14mm]) BETWEEN THE HANDLE AND THE MANIFOLD BODY SO THERE IS STILL CLEARANCE WHEN THE HANDLE IS ROTATED IN ANY POSITION.
 4. APPLY LOCTITE #222 TO THE SET SCREWS AND TORQUE THEM TO 30-50 LBS.-IN. [3.4-5.6 N-M].



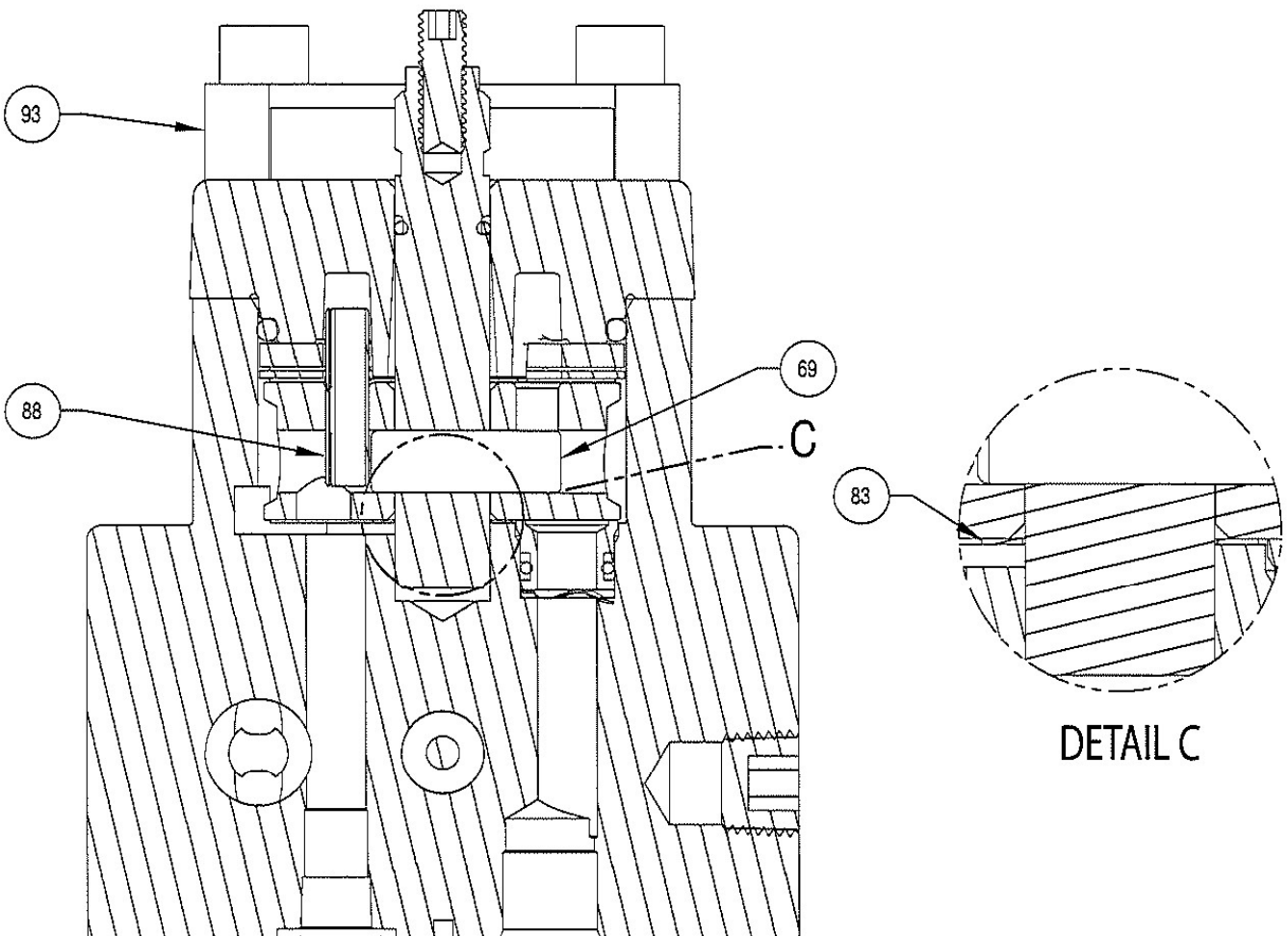
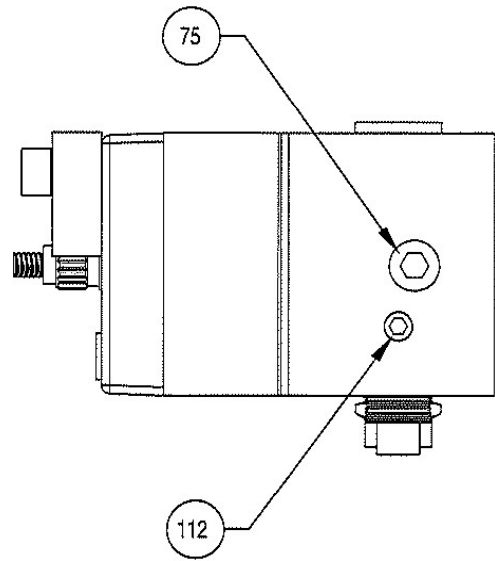
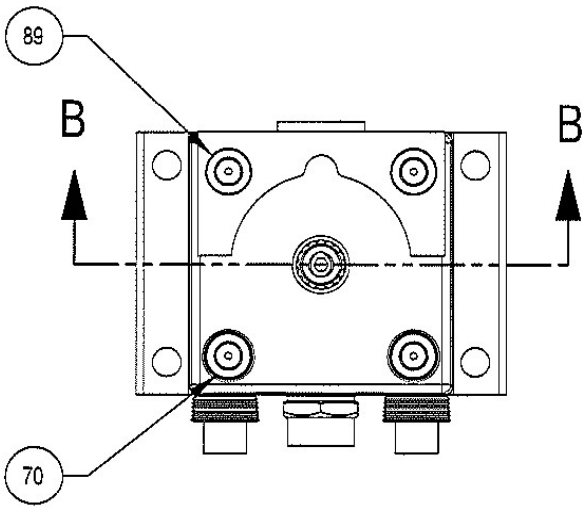
* CONTAINED IN REPAIR KIT #301007

Dual Manual Valve



* CONTAINED IN REPAIR KIT #301007

Dual Manual Valve

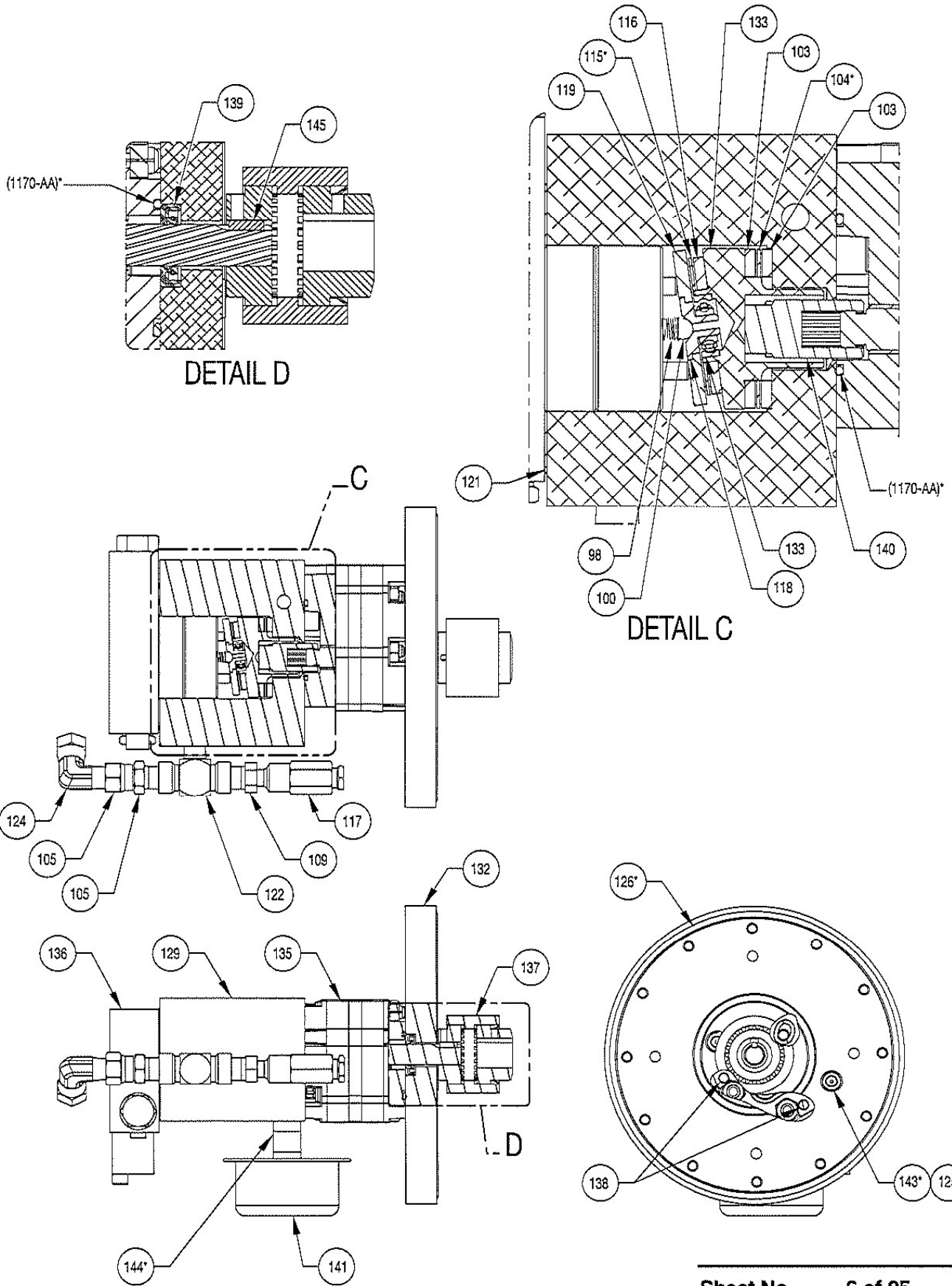


DETAIL C

SECTION B-B

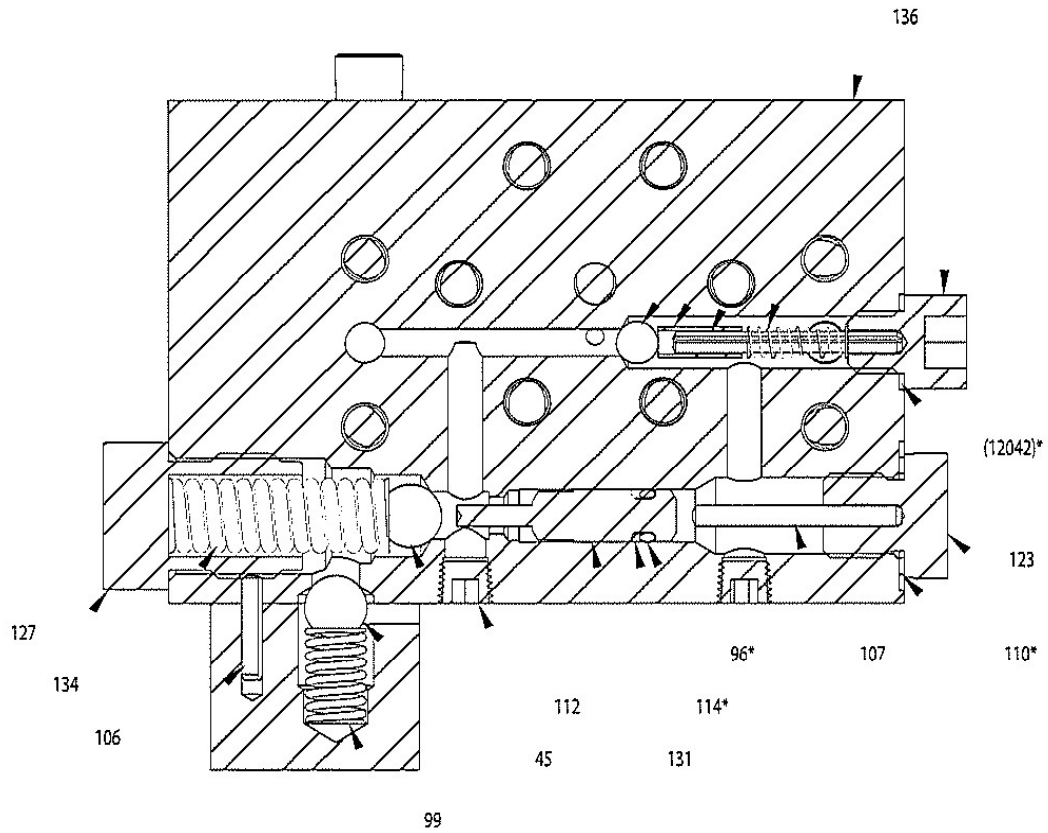
* CONTAINED IN REPAIR KIT #301007

Basic Pump Assembly

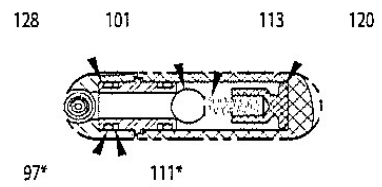


* CONTAINED IN REPAIR KIT #301008

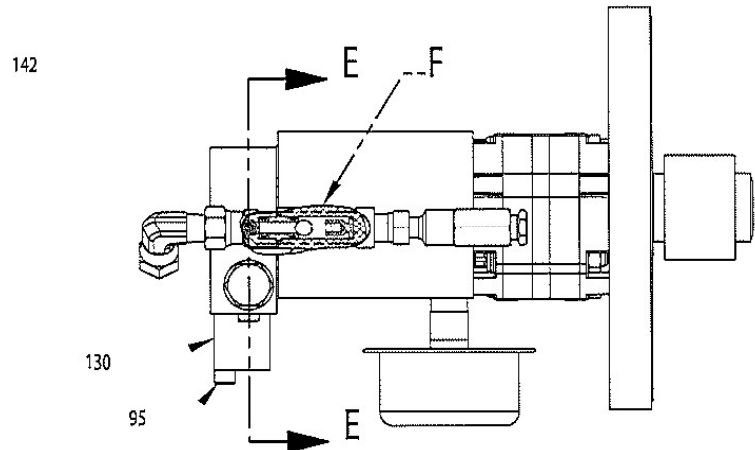
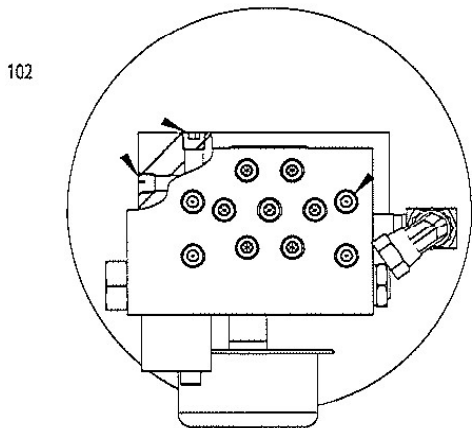
Dual Manual Valve



SECTION E-E

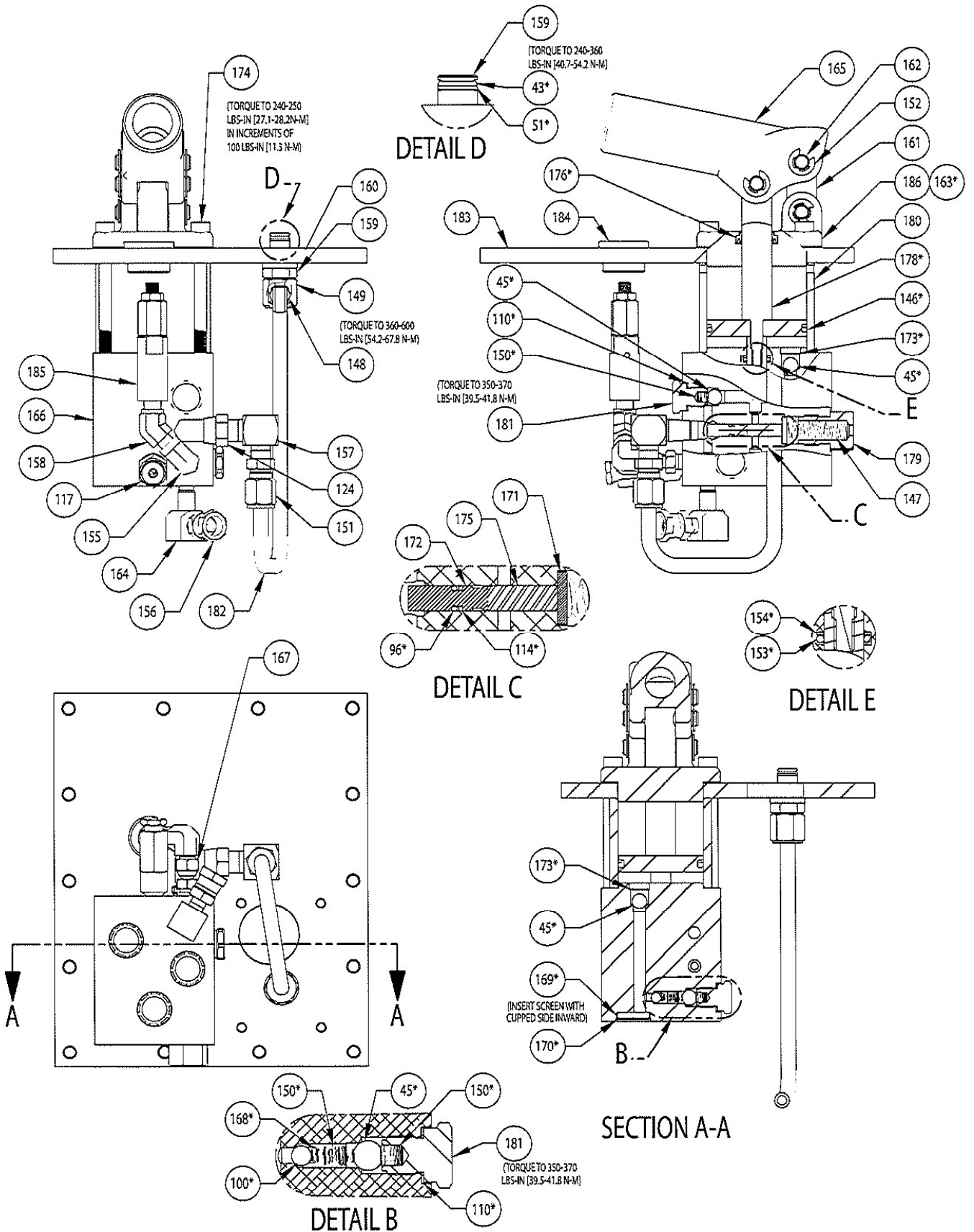


DETAIL F



* CONTAINED IN REPAIR KIT #301008

Hand Pump Assembly



*CONTAINED IN REPAIR KIT #301010



Parts List

Form No. 100003

ITEM #	QTY.	PART #	DESCRIPTION	In	In	In
				Valve Kit 301007	Power Pump Kit 301008	Hand Pump Kit 301010
1	4	10575	SCREW, DRIVE RD HD 2 X 3/16	--	--	--
2	4	15911	SCREW, BUTTON HD 1/4-20 X 5/8	--	--	--
3	1	18841	FITTING, STR 1/8 NPTF F x 1/8 NPTF F	--	--	--
4	1	200395	GASKET	1	--	--
5	1	200609	TUBE, DRAIN	--	--	--
6	4	209541	WASHER, PLAIN .51 X .29	--	--	--
7	1	2000776	GAUGE GUARD, LEXAN	--	--	--
8	1	3000340	VALVE ASSY, DUAL	--	--	--
9	1	4000030	PUMP, GAS W/O VALVE (PG182HP-R "D")	--	--	--
10	1	12891-1	FITTING, STR 1/8 NPT M x 1/8 NPT M 3.00"	--	--	--
11	1	202120CE	PLATE, NAME	--	--	--
12	2	202173CE	DECAL, TRADENAME POWER TEAM CE	--	--	--
13	1	21278-28	VALVE, RELIEF 2850 PSI	--	--	--
14	12	10005	SCREW, HEX HD CAP 1/4-20 X 1/2	--	--	--
15	14	10009	SCREW, HEX HD CAP 1/4-20 X 3/4	--	--	--
16	4	10030	SCREW, SOCKET HD CAP 5/16-18 X 3/4	--	--	--
17	4	10246	WASHER, LOCK .59 X .32	--	--	--
18	4	10809	SCREW, SOCKET HD CAP 5/16-18 X 1-1/4	--	--	--
19	1	11390	GRIP, HANDLE FLEX	--	--	--
20	4	13116	NUT, HEX LOCK 5/16-18	--	--	--
21	3	14949	TERMINAL, RING TONGUE	--	--	--
22	1	58476	ENGINE, GAS 3HP	--	--	--
23	4	213836	SCREW, SOCKET HD CAP 1/2-20 X 3/4	--	--	--
24	1	251235	KEY, SPECIAL	--	--	--
25	8	251384	BUSHING, RUBBER	--	--	--
26	2x 0.75 FT [22.86 CM]	251447	CABLE, AIRCRAFT	--	--	--
27	1	251723	PIN, QUICK RELEASE .16 X 1.00	--	--	--
28	8	252092	BUSHING, RUBBER	--	--	--
29	1	252298	PLUG, FILLER	--	--	--
30	1	303664	HOSE, 2' POLYURETHANE	--	--	--
31	1	350431	GAUGE, FLUID LEVEL	--	--	--
32	1	351227	HANDLE	--	--	--
33	1	2000772	ADAPTOR, MOTOR MOUNTING	--	--	--
34	1	2000773	GASKET, RESERVOIR	--	--	--
35	4	2000774	SCREW, SOCKET HD M8 x 80mm	--	--	--
36	1	2000794	RESERVOIR (PG182HP-R "D")	--	--	--
37	1	2000795	ROLLCAGE (PG182HP-R "D")	--	--	--
38	1	3000341	BASIC PUMP ASSY (PG182HP-R "D")	--	--	--
39	1	3000342	PUMP, TWO SPEED HAND	--	--	--
40	1	1170-AA	PLUMBING PLUG 9/16 SAE	--	--	--
41	2	9040	GAUGE, 2.5" UNIVERSAL, FILLED, 2500/500 PSI	--	--	--
42	4	9670	TEE ADPT, 1/4", 3/8" NPTF F, 3/8" NPTF M	--	--	--
43	8	10268	O-RING (-012) 0.364ID X 0.070 NITRILE 70	7	3	1
44	4	10301	O-RING (-014) 0.489ID X 0.070 NITRILE 70	4	--	--
45	7	10378	BALL, 3/8" DIA STEEL	--	--	4
46	1	10428	SPRING COM OD .489ID X .XXXR1280L.738CS	--	--	--
47	2	10479	PLUG, 1/4 NPTF	--	--	--
48	1	10714	PIN, SPRING SLOTTED .19 X .63	--	--	--
49	2	10855	SCREW, SOCKET HD CAP 1/4-20 X 2-3/4	--	--	--
50	1	11208	TERMINAL, RING TONGUE	--	--	--



Parts List

Form No. 1000003

ITEM #	QTY.	PART #	DESCRIPTION	In Valve Kit 301007	in Valve Kit 301008	In Valve Kit 301010
51	8	11863	WASHER, BACKUP .50 X .38	7	2	1
52	2	11956	SCREW, SOCKET HD 1/4-20 X 3	—	—	—
53	3	14972	FITTING, PLUG 1/4 PTF FLUSH W/SEALANT	—	—	—
54	2	15499	PLUG, 1/8 NPTF	—	—	—
55	4	15642	SCREW, SOCKET HD CAP 1/4-20 X 5	—	—	—
56	2	21094	BUSHING	—	—	—
57	1	21639	STUD	—	—	—
58	2	58889	VALVE, MANUAL CLOSED CTR W/ OPEN PORT	—	—	—
59	1	211911	KNOB, BALL	—	—	—
60	2	214014	FITTING, PLUG 3/4-16 M ORB	—	—	—
61	1	251733	DECAL, INSTRUCT OPEN-CLOSE	1	—	—
62	1	251756	RING, KEY 0.88 X 0.71	—	—	—
63	1	420996	STEM, END	—	—	—
64	1	2000777	VALVE MANIFOLD	—	—	—
65	2	2000778	BRACKET, GAUGE GUARD	—	—	—
66	1	3000343	VALVE, 2-WAY MANUAL	—	—	—
67	1	10139	SCREW, SET 1/4-20 x .75 KNURLED CUP PT.	—	—	—
68	4	10267	O-RING (-011) 0.301IDX0.070 NITRILE 70	1	1	—
69	1	10496	PIN, SPRING SLOTTED .31 X 1.00	—	—	—
70	2	11013	SCREW, SOCKET HD CAP 5/16-18 X 1	—	—	—
71	2	11024	SPRING COM OD.248IDX.XXXR16.5L.655MW	—	—	—
72	2	11127	FITTING, PLUG 3/8 NPTF W/SEALANT	—	—	—
73	2	13943	O-RING (-012) 0.364ID X 0.070 URETHAN 92	1	—	—
74	1	14763	O-RING (-011)0.301ID X 0.070 URETHAN 92	1	—	—
75	3	14972	FITTING, PLUG 1/4 PTF FLUSH W/SEALANT	—	—	—
76	1	15095	SPRING COM OD.248IDX.XXXR80L.480MW	—	—	—
77	1	15892	O-RING (-924) 1.720ID X 0.118 NITRILE 90	1	—	—
78	3	21975	WASHER, SPRING .49 X .35	—	—	—
79	1	46048	STEM	—	—	—
80	1	61343	CAP, VALVE	—	—	—
81	1	64651	BODY, VALVE	—	—	—
82	3	202480	SEAL	—	—	—
83	1	214801	WASHER, SPACER .73 X .51	—	—	—
84	1	215193	O-RING (-114) 0.612ID X 0.103 URETHAN 92	1	—	—
85	1	250020	POPPET	—	—	—
86	1	250021	SEAT, REPLACEABLE	—	—	—
87	1	250022	SPRING COM OD.450IDX.XXXR360L.352MW	—	—	—
88	1	250056	PIN, SPRING SLOTTED .22 X .94	—	—	—
89	2	251442	SCREW, SOCKET HD CAP 5/16-18 X 1-3/4	—	—	—
90	1	251592	PISTON	—	—	—
91	1	306032	ROTOR TANDUM OR CLOSED CENTER	—	—	—
92	1	307136	SCREW, VALVE 1/2-20 X 1-1/16	—	—	—
93	1	350982	BRACKET, LOCATOR	—	—	—
94	1	11227-1	RACE, BEARING	—	2	—
95	1	10020	SCREW, SOCKET HD CAP 1/4-20 X 1-1/4	—	—	—
96	2	10265	O-RING (-008) 0.176IDX0.070 NITRILE 70	1	1	1
97	4	10267	O-RING (-011) 0.301IDX0.070 NITRILE 70	1	1	—
98	1	10361	SPRING COM OD.253IDX.XXXR9.4L1.025MW	—	—	—
99	1	10362	SPRING COM OD.370ID.271R39L.765MW	—	—	—
100	3	10375	BALL, 1/4" DIA STEEL	—	—	1
101	1	10377	BALL, 5/16" DIA STEEL	—	—	—



Parts List, Form No. 100003, Page 11 of 25

ITEM #	QTY.	PART #	DESCRIPTION	In Valve Kit 301007	In Valve Kit 301008	In Valve Kit 301010
102	2	10427	FITTING, PLUG 1/8 NPTF W/SEALANT	—	—	—
103	2	11227	RACE, BEARING	—	2	—
104	2	11228	BEARING, THRUST	—	1	—
105	1	11310	FITTING, SWIVEL ADAPTOR	—	—	—
106	1	11560	PIN, SPRING SLOTTED .13 X .63	—	—	—
107	1	11566	PIN, ROLL .13 X 1.25	—	—	—
108	1	11814	BEARING, BALL	—	1	—
109	1	13269	FITTING, REDUCER 1/4 TO 1/8	—	—	—
110	4	14874	WASHER 0.700 X.500 X.032 COPPER	1	1	2
111	5	15085	WASHER, BACKUP .44 X .31	2	2	—
112	6	15130	FITTING, PLUG 1/16 PTF FLUSH	—	—	—
113	1	15141	SPRING COM OD.186IDX.XXXR4L.656MW	—	—	—
114	1	15174	WASHER, BACKUP .31 X .19	1	1	1
115	1	15431	BEARING, NEEDLE	—	1	—
116	1	15432	RACE, BEARING	—	1	—
117	2	21278	VALVE, RELIEF 10000 PSI	—	—	—
118	1	23547	PLATE, BEARING TOP	—	—	—
119	1	23548	PLATE, TOP	—	—	—
120	1	202681	STOP, BALL	—	—	—
121	1	202690	GASKET, LOWER	—	1	—
122	1	208699	FITTING, TEE 1/4 NPTF M x (2) 1/4 NPTF F	—	—	—
123	1	250743	STOP, BALL	—	—	—
124	2	251354	FITTING, 90D ELB 1/4 NPTF M x 1/4 NPSM F	—	—	—
125	2	3-6796	WASHER 0.317 X.463 X.040 COPPER	—	—	—
126	1	2000137	O-RING (-260) 6.484ID X 0.139 NITRILE 90	—	1	—
127	1	2000779	RETAINER, SPRING	—	—	—
128	1	2000780	TUBE, PRESSURE TRANSFER	—	—	—
129	1	2000781	MANIFOLD, PUMP SHELL	—	—	—
130	1	2000783	VALVE BODY, SUPERCHARGER	—	—	—
131	1	2000784	PISTON, PILOT	—	—	—
132	1	2000786	PLATE, PUMP MOUNTING	—	—	—
133	1	2000787	PLATE, 8 DEG PUMP ANGLE	—	—	—
134	1	2000788	SPRING, COMPRESSION	—	—	—
135	1	3000344	PUMP ASSEMBLY 2.0 STRAIGHT/SPLINE	—	—	—
136	1	3000345	PUMP, HIGH PRESSURE	—	—	—
137	1	3000347	COUPLING ASSEMBLY	—	—	—
138	4	1113-AA	PIN 0.218 X 0.500 DOWEL	—	—	—
139	1	1205-AA	SEAL SHAFT 75	—	1	—
140	1	1267-BA	COUPLING SAE TANG	—	—	—
141	1	1413-AA	FILTER 149 MICRON 3.09 X 1.37	—	1	—
142	4	1478-AA	BOLT 1/4-20 X 1.25 SOC HD	—	—	—
143	2	1494-AA	BOLT 5/16-24 X 3.25 SHCS	—	—	—
144	1	2217-AA	PLUMBING PIPE PVC 01.5" 3/8NPT	—	—	—
145	1	3-0790	KEY,LO-PRESS. PUMP	—	—	—
146	1	10295	O-RING (-228) 2.234ID X 0.139 NITRILE 70	1	—	1
147	1	10367	SPRING COM OD.490IDX.XXXR20L2.030MW	—	—	—
148	1	10430	TUBE,SLEEVE 3/8 DIA.	—	—	—
149	1	10431	FITTING, NUT 5/8-18 F (3/8 OD TUBE)	—	—	—
150	3	10444	SPRING COM ODX.XXXID.203R4.0L.406MW	—	—	3

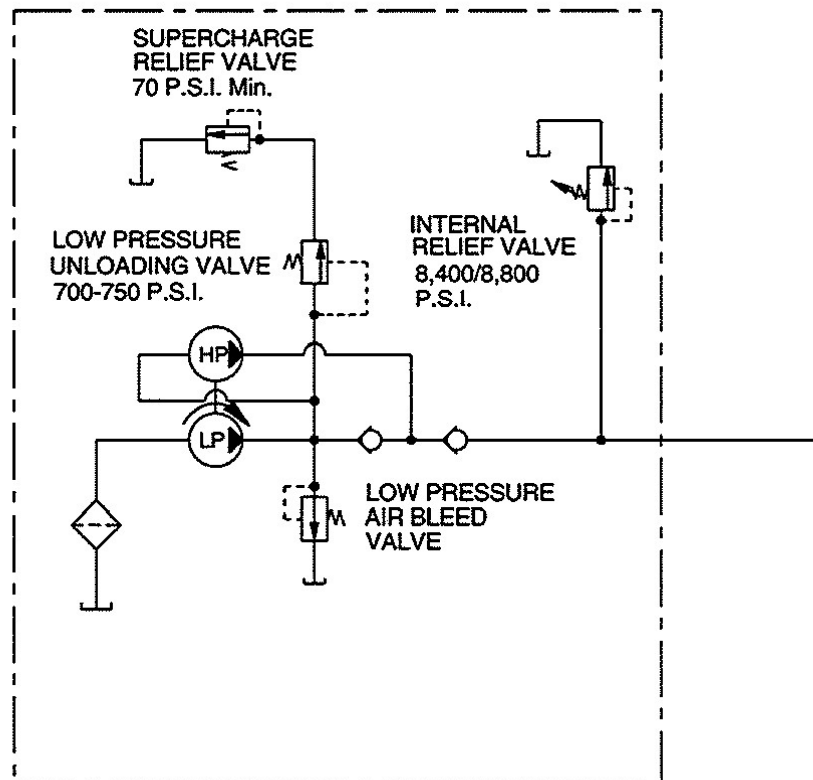


Parts List

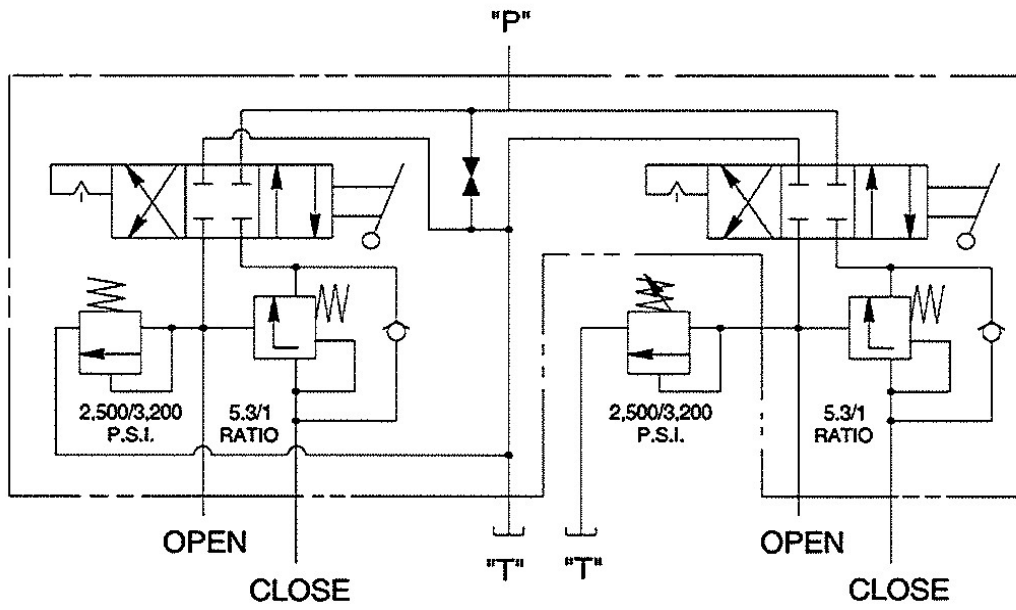
Form No. 1000003

ITEM #	QTY.	PART #	DESCRIPTION	In Valve Kit 301007	In Valve Kit 301008	In Valve Kit 301010
151	1	10661	FITTING MALE CONNECTOR	—	—	—
152	6	11032	RING, RETAIN EXT 0.30 X .035	—	—	—
153	1	11564	O-RING (-112) 0.487ID X 0.103 URETHAN 92	1	—	1
154	1	12389	WASHER, BACKUP .69 X .50	1	—	1
155	1	13229	FITTING, 90 DEGREE ELBOW	—	—	—
156	1	15069	FITTING, STR 1/8 NPTF M x 1/4 NPSM F	—	—	—
157	1	16823	FITTING, 90D ELB 1/4 NPTF M x 1/4 NPTF F	—	—	—
158	1	19121	FITTING, 45 DEGREE ELBOW ADAPTOR	—	—	—
159	1	20787	1CONNECTOR, VALVE	—	—	—
160	1	21484	SPACER	—	—	—
161	1	21603	BLOCK, PIVOT	—	—	—
162	3	21609	PIN, CLEVIS	—	—	—
163	1	22143	GASKET, END CAP	—	—	1
164	1	28859	FITTING, 90D ELB 1/8 NPTF M x 1/8 NPTF F	—	—	—
165	1	30701	LEVER	—	—	—
166	1	64202	BODY, PUMP	—	—	—
167	1	208218	FITTING, STR 1/8 NPTF M x 1/8 NPSM F	—	—	—
168	1	211797	SPRING COM OD.166IDX.XXXR.390L.660MW	—	—	1
169	3	214578	FILTER	—	—	3
170	3	214586	RING, RETAIN INT 0.63 X .015	—	—	3
171	1	214692	DISC	—	—	—
172	1	250658	PISTON, UNLOADING VALVE	—	—	—
173	2	250670	RING, RETAIN INT 0.26 X .010	—	—	2
174	4	250671	SCREW, SOCKET HD CAP 5/16-24 X 3-1/2	—	—	—
175	1	250672	PIN, DOWEL .31 X .88	—	—	—
176	1	251728	WIPER, ROD 1.06 X .75 NITRILE	—	—	1
177	1	253234	DECAL, OIL PIVOT PINS	—	—	—
178	1	253372	PISTON, 2 SPEED	—	—	1
179	1	308430	FITTING, SPRING RETAINER 3/4-16 M	—	—	—
180	1	350302	SPACER	—	—	—
181	2	351952	SCREW, VALVE 1/2-20 X 7/8 LG	—	—	—
182	1	2000791	TUBE, STEEL .75 x 12.9 x 16 GAGE	—	—	—
183	1	2000792	PLATE, RESERVOIR COVER	—	—	—
184	1	2000793	PLUMBING PLUG 1-1/16 SAE FLUSH	—	—	—
185	1	360192-86	VALVE, RELIEF 8600 PSI (8,400/8,800)	—	—	—
186	1	420978BK2	CAP, END	—	—	—
188	1	10274	O-RING (-115) 0.674ID X 0.103 NITRILE 70	1	—	—
189	1	10423	BALL, 9/32" DIA STEEL	—	—	—
190	2	10556	SCREW, SET 1/4-20 X .25 KNURLED CUP PT.	—	—	—
191	1	213109	HANDLE, RELEASE VALVE	—	—	—
192	1	304849	SCREW, REL VLV 3/8-16 X 2-1/2	—	—	—
193	1	2000796	VALVE BODY, 2P2W	—	—	—

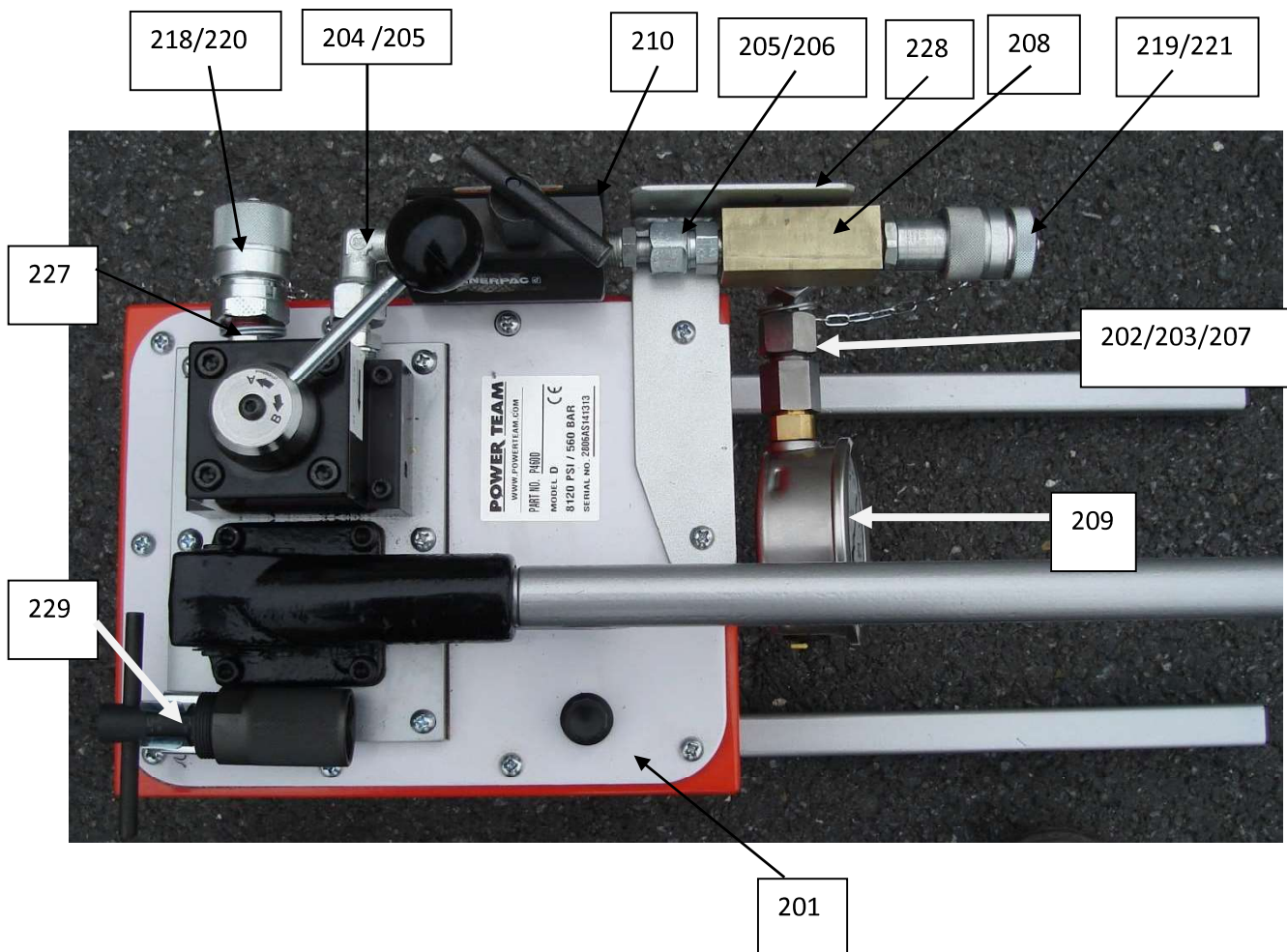
PUMP HYDRAULIC SCHEMATIC



VALVE HYDRAULIC SCHEMATIC

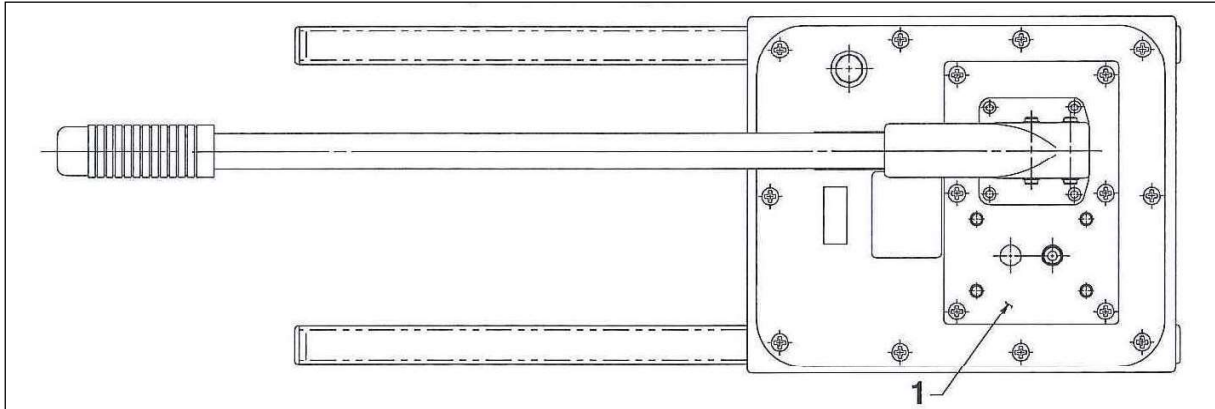


Rep.	Ref	Qty	Désignation	Description
201	547103013	1	Pompe P460	Pump P460
205	547701044	2	Adaptateur	Adaptator
206	547701050	1	Union UMA 12	Union UMA 12
204	547701059	2	Coude CMA12	Elbow CMA 12
208	531910052	1	Bloc raccord mano	Block control
210	547702022	1	Vanne de réglage	Flow control valve
209	548101010	1	Mano Ø 100	Pressure reducer Ø 100
207	547701137	1	Adaptateur AA14S	Adaptator AA14S
202	547701139	1	Union UFA 14S	Union UFA 14S
203	547701138	1	Coude CELA	Elbow CELA
227	547701017	1	Mamelon MM3/BNPT	Nipple MM3/BNPT
218	547702013	1	Coupleur mâle à billes	Male coupling
219	547702012	1	Coupleur femelle à billes	Female coupling
220	577701011	1	Bouchon femelle à visser	Female coupling cap
221	577701010	1	Bouchon mâle à visser	Male coupling cap
229	511121010	1	Casse pression	Pressure break
228		1	Protection de sortie	Power output



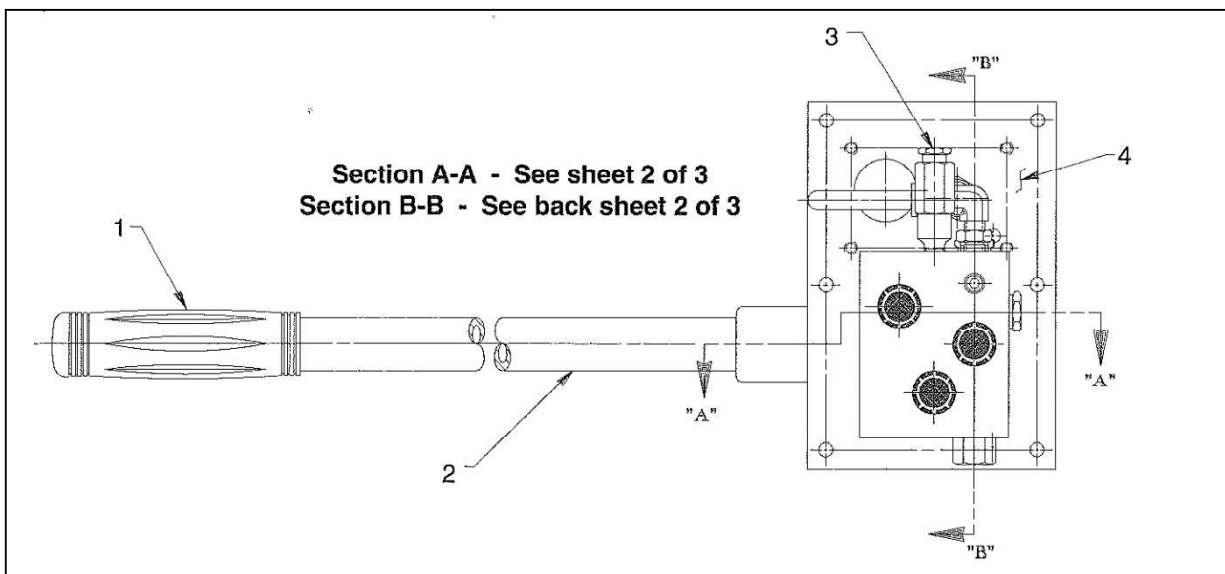
Rep.	Ref	Qty	Désignation	Description
------	-----	-----	-------------	-------------

1	9500	1	Distributeur 4 voies	Valve 4 Way
---	------	---	----------------------	-------------



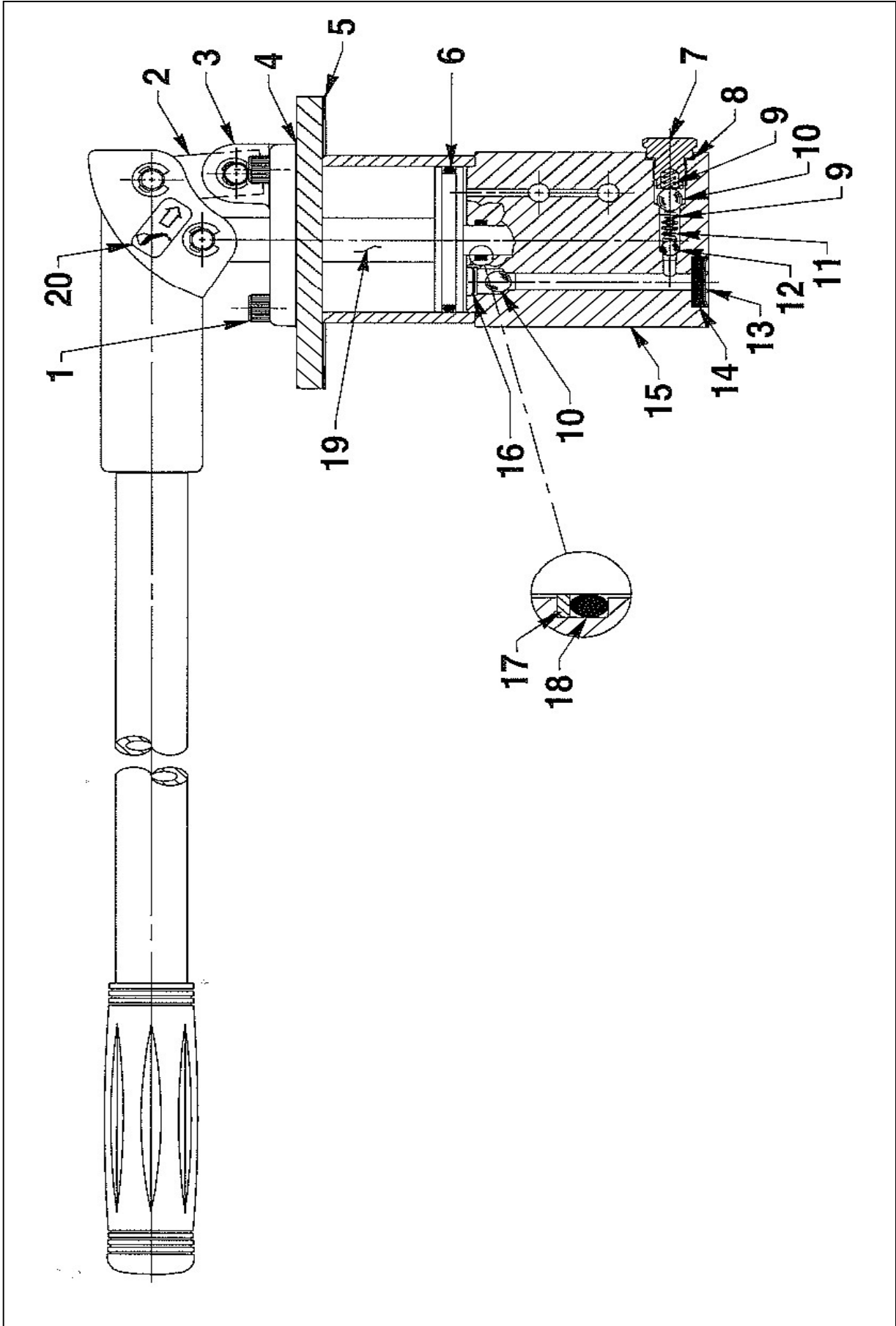
Rep.	Ref	Qty	Désignation	Description
------	-----	-----	-------------	-------------

1	11390	1	Poignée	Flex Grip Handle
2	30708	1	Levier	Handle
3	21278	1	Limiteur de pression 560 bar	Relief valve assembly
4	420418GY8	1	Plaque support	Cover plate



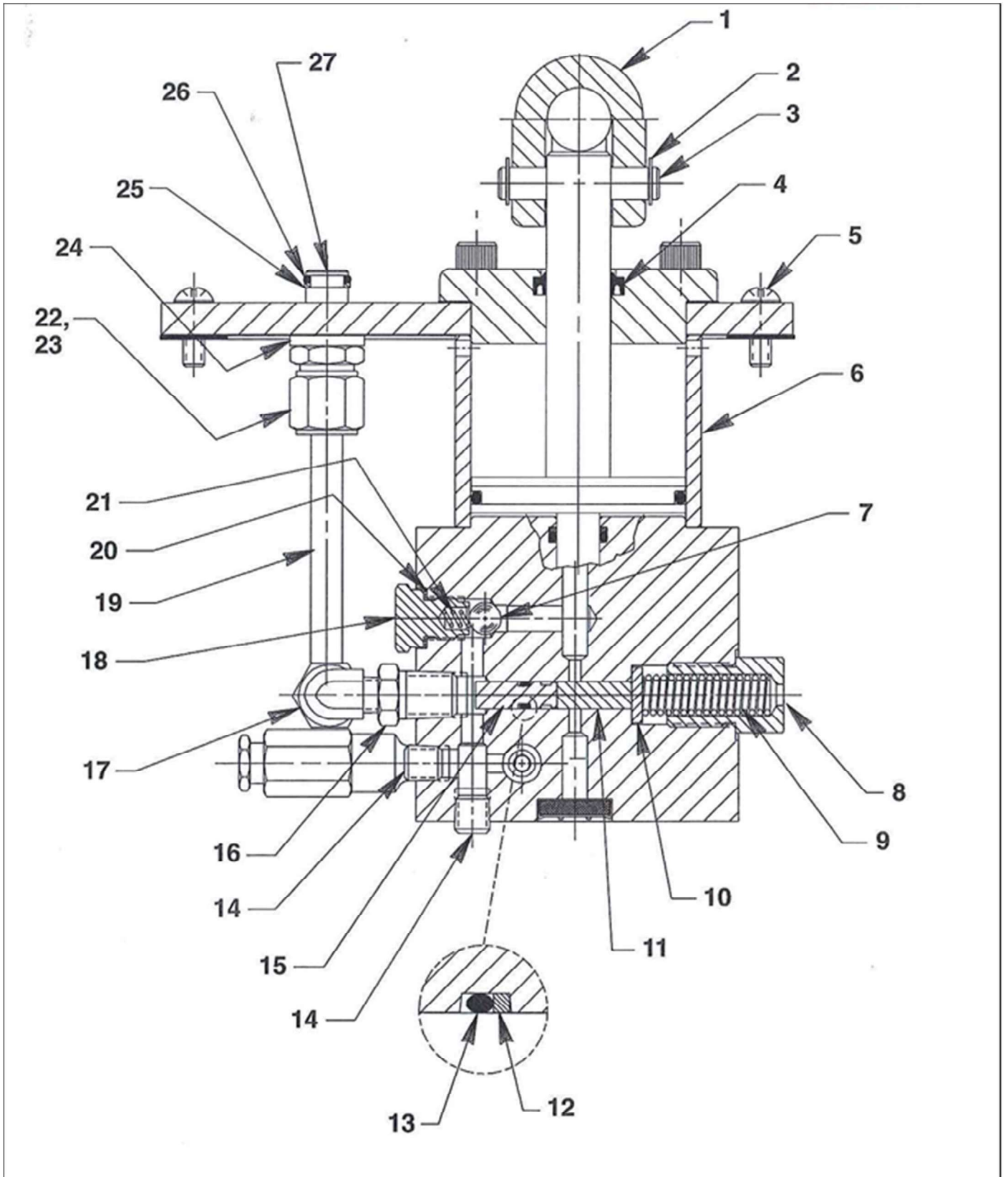
Rep.	Ref	Qty	Désignation	Description
1	250671	4	Vis 5/16-24UNF x3-1/2Lg	Screw 5/16-24UNF x3-1/2Lg
2	21603	1	Biellette	Pivot block
3	420978BK2	1	Couvercle de pompe	End cap
4	*22143	1	Joint de couvercle	End cap Gasket
5	*30709	1	Joint de réservoir	Reservoir gasket
6	*10295	1	Joint torique	O-ring
7	351952	1	Vis du limiteur de pression	Valve screw
8	*14874	1	Joint cuivre	Soft copper washer
9	*10444	1	Ressort de compression	Compression spring
10	*10378	3	Bille Ø3/8 "	Steel ball Ø3/8 "
11	*211797	1	Ressort	Spring
12	*10375	1	Bille Ø1/4"	Steel ball Ø1/4 "
13	*214586	3	Clip	Retaining ring
14	*214578	3	Filtre	Filter
15	61202	1	Corps de pompe	Pump body
16	*250670	2	Clip	Retaining ring
17	*12398	1	Bague anti extrusion	Backup washer
18	*11564	1	Joint torique	O-ring
19	253372	1	Ensemble piston	Piston assembly
20	253234	1	Autocollant de point de graissage	Oil pivot pins decal

(*) Kit N° 300811



Rep.	Ref	Qty	Désignation	Description
1	30701	1	levier	Lever
2	11032	6	clip	Retaining ring
3	21609	1	Axe	Clevis pin
4	*251728	1	joint racleur	Rod wiper
5	10177	6	vis ¼-20 UNC X Lgr ¾"	Machine screw vis ¼-20UNC X Lgr ¾"
6	350302	1	cylindre	Spacer
7	*10378	1	bille Ø3/8"	Steel ball Ø3/8"
8	308430	1	vis de limiteur de pression	Unloading valve fitting
9	*10367	1	ressort de compression	Compression spring
10	214692	1	Rondelle	Disc
11	250672	1	poussoir	Dowel pin
12	*15174	1	bague anti extrusion	Backup ring
13	*10265	1	joint torique	O-ring
14	*10427	2	bouchon	Pressure plug
15	250658	1	piston du limiteur de pression	Unloading valve piston
16	13269	1	réduction	Reducer bushing
17	10475	1	coude	Tube Elbow
18	305975	1	vis de limiteur	Valve screw
19	350340	1	tuyauterie	Oil line
20	14874	1	joint cuivre	Soft copper washer
21	*10444	1	ressort de compression	Compression spring
22	10430	1	Passage de cloison	Tube sleeve
23	10431	1	Ecrou de tuyauterie	Tube nut
24	21484	1	Entretoise	Spacer
25	*11863	1	Bague anti extrusion	Backup washer
26	*10268	1	Joint torique	O-ring
27	20787	1	Connecteur de distributeur	Valve connector

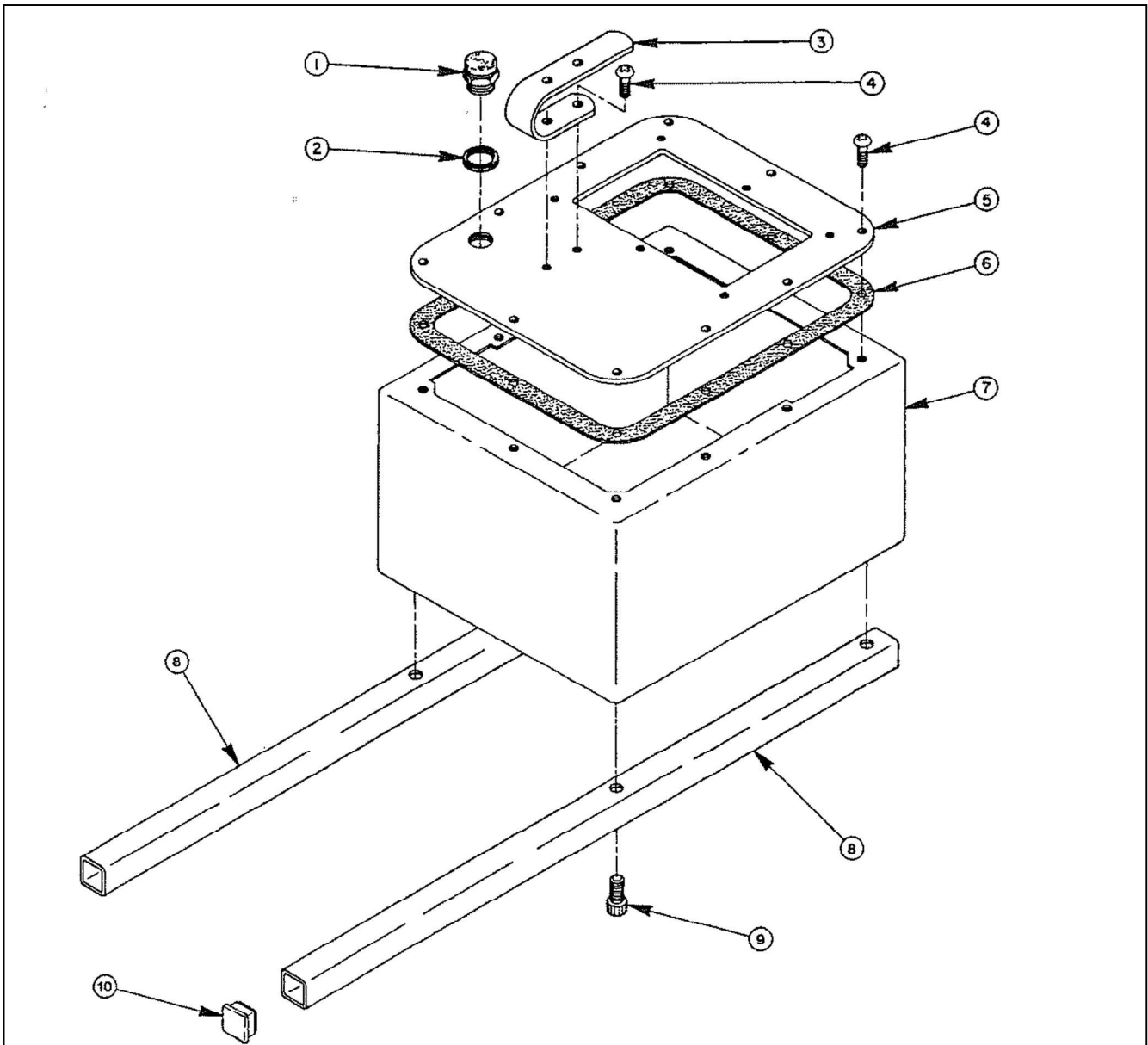
(*) Kit N°
300811



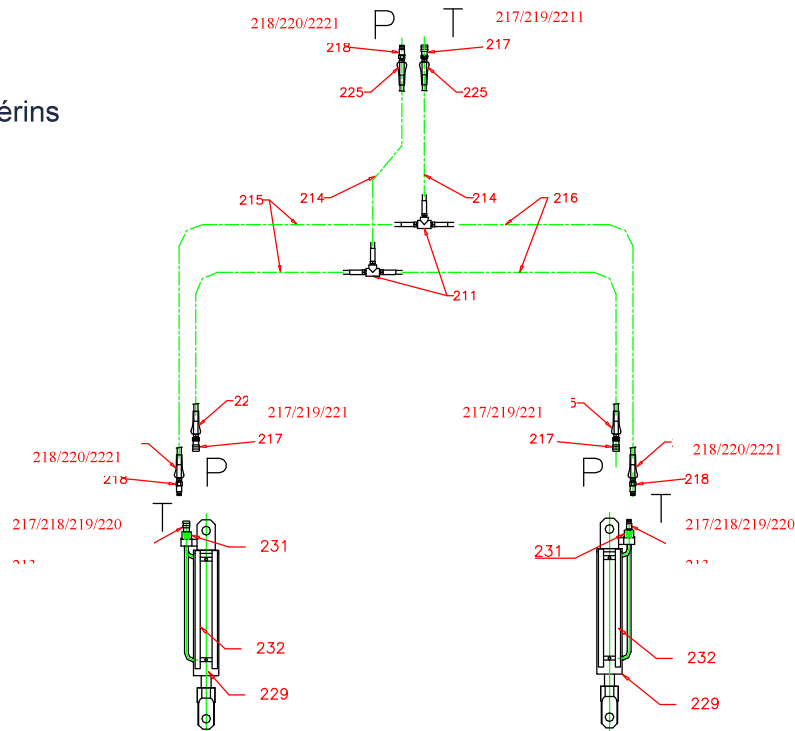
Rep.	Ref	Qty	Désignation	Description
------	-----	-----	-------------	-------------

1	251689		bouchon avec évent	Vent cap
2	*200415		joint torique	O-ring
3	24066		poignée de transport	Carrying handle
4	10177		vis 1/4-20UNC x 3/4"	Screw 1/4-20UNC x 3/4"
5	41810WH2		couvercle du réservoir	reservoir cap

(*) Kit N° 300811



Ensemble flexible et vérins



P: poussée / open
T: traction / close

Rep.	Ref	Qty	Désignation	Description
211	47701018	2	Té femelle	Female tee
213	47701017	4	Mamelon MM 3/8 NPT	
214	21121053 (le jeu, the set)	2	Flexible lg. 3m avec protection	Flexible pipe length 3m with protection
215		2	Flexible lg. 2.4m avec protection	Flexible pipe length 2.4m with protection
216		2	Flexible lg. 0.9m avec protection	Flexible pipe length 0.9m with protection
217	47702046	3	Demi Coupleur plat femelle	Half Female coupling
218	47702047	3	Demi Coupleur plat male	Half Male coupling
			OU	
219	47701012	3	Coupleur à bille femelle	Female coupling
220	47701013	3	Coupleur à bille male	Male coupling
221	47701010	3	Bouchon pour coupleur femelle	Female cap for coupling
222	47701011	3	Bouchon pour coupleur male	Male cap for coupling
229	47501020	2	Vérin Ø100 course 380 mm	
231	31930039	2	Protection des coupleurs	
232	35910434	2	Poignée de vérin	

PIECES DE MAINTENANCE PRECONISEES
(NON FOURNIE AVEC LA MACHINE)

RECOMMENDED MAINTENANCE SET
(NOT SUPPLIED WITH THE STRETCHER)

REFERENCE	QTE.	DESIGNATION	DESCRIPTION
21121008		POCHETTE DE MAINTENANCE TENDEUR comprenant	RAIL TENSOR MAINTENANCE KIT including :
21121009	4	Mâchoires avec vis et coupelles	Jaw with rubber cup and screw
47702012	2	Coupleur femelle	Female coupling
47702013	2	Coupleur mâle	Male coupling
21121043	2	Flexible L. 3m avec protection	Flexible pipe 3m length with protection
(le jeu, <i>the set</i>)	2	Flexible L. 2,4m avec protection	Flexible pipe 2,4m length with protection
	2	Flexible L. 0,90m avec protection	Flexible pipe 0,90m length with protection
47104013	1	Pochette de dépannage de pompe Enerpac	Manual pump repair kit
47501021	1	Pochette de joints pour vérins 560 bar	Gasket kit for hydraulic jack 560 bar
111210101	1	Casse pression pour coupleurs bille	