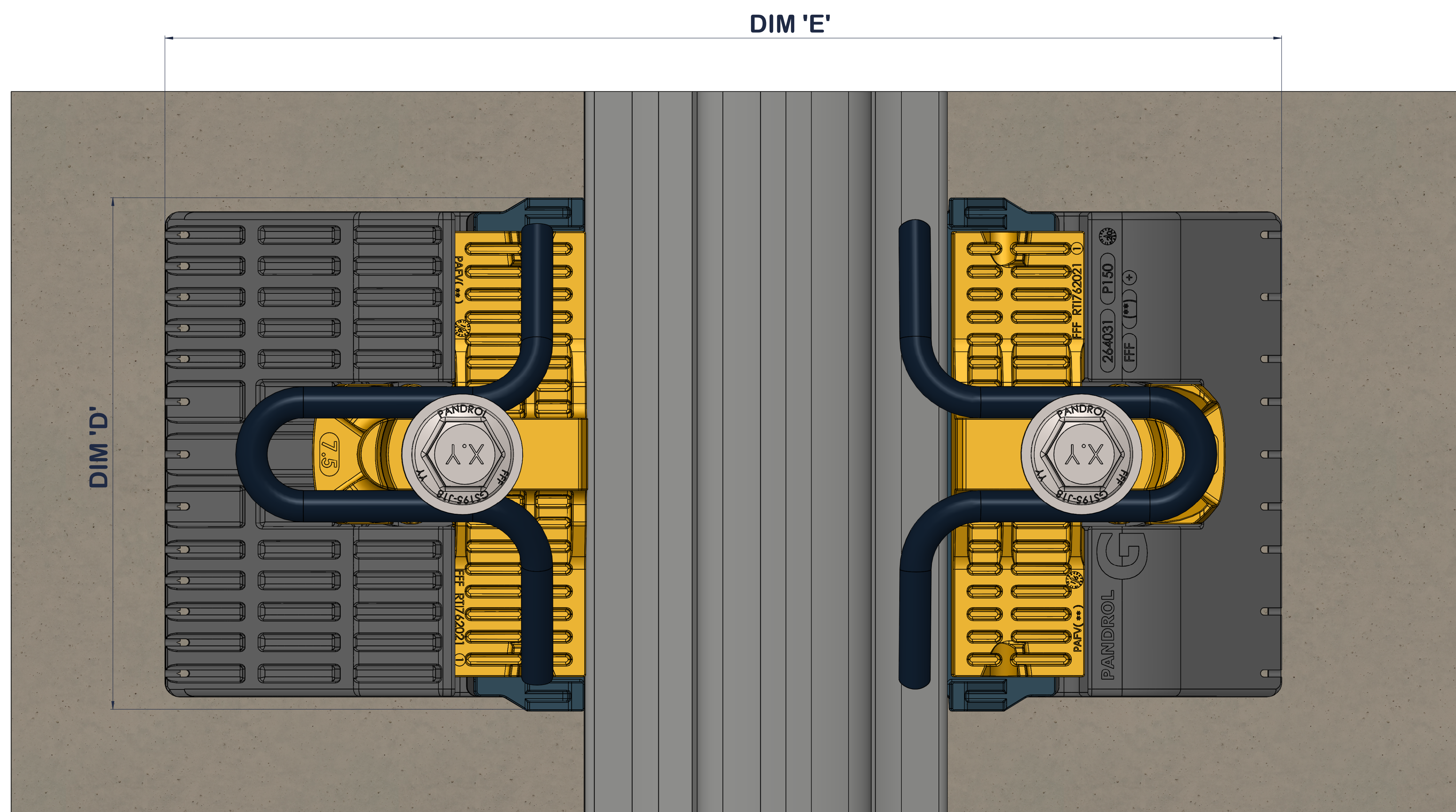
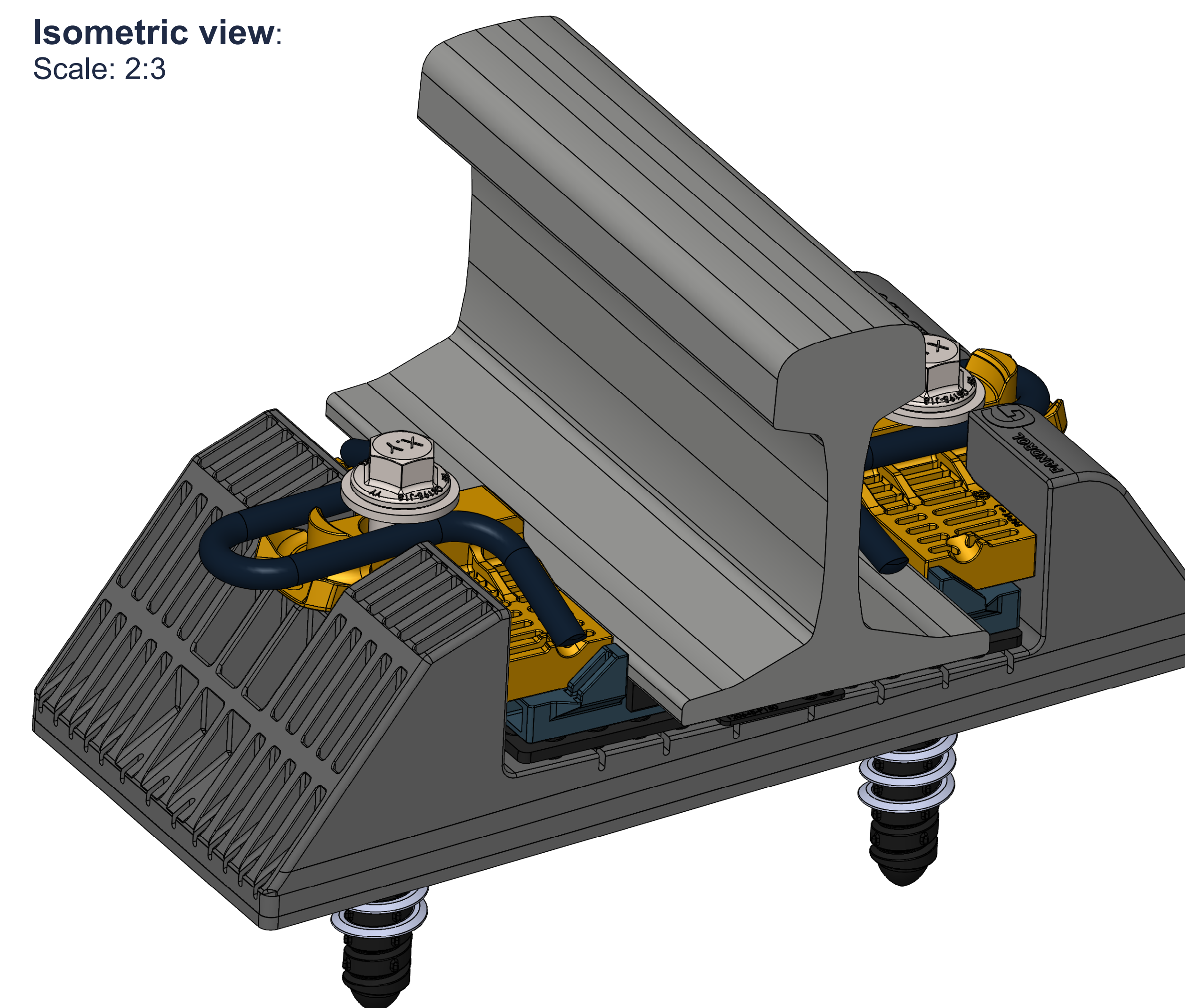


9	2	FLAT WASHER
8	2	SD2 CLIP
7	2	SD21 LATERAL INSULATOR
6	1	730-PXXX EVA PAD
5	1	DEE SD SE32-PXXX-XX TOP PLATE
4	1	DEE-PXXX RESILIAN T PAD
3	1	DEE SD SE31-PXXX-XX BOTTOM PLATE
2	2	GS195 COACHSCREW
1	2	GS196 PLASTIC DOWEL WITH METAL INSERT
ITEM	QTY	DESIGNATION
Requirement for 1 rail seat		



Isometric view:
Scale: 2:3



PANDROL

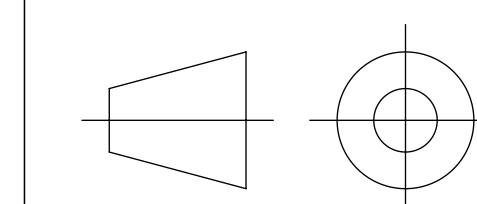
E-MAIL: INFO@PANDROL.COM
WWW.PANDROL.COM

TITLE

DEE SD FASTENING SYSTEM

DRAWING No.

DEE-A



© PANDROL 2020

ISSUE

A

SIZE

A0