

Clip Driver CD300 IQ / CD300 EC

Fastening Installation Equipment



Clip Driver CD300 IQ is a high-production clipping machine designed to install Pandrol Fastclip FC and FE fastening systems. Clip Driver CD300 IQ is a version specially designed for e-Clip fastening system.

The machine's design is based on the proven technology of Pandrol's Clip Driver CD400, with enhancements adding to its performance. Tools are folded up when not in use, eliminating the risk of collision with shoulders, fishplates and clips in the track. A newly designed intelligent control system monitors the machine's operation and actively controls the clipping operation.

Clip Drivers CD300 IQ and CD300 EC has a quick adjustment for various rail heights and guiding rollers ensure it is centred on the track. Its low weight makes it suitable for use on smaller road-rail machines.

→ TECHNICAL FEATURES

Intuitive control system

Clip Drivers have a new intelligent control system with a display. It is easy to understand and available in different languages. It stores running data for follow-up and shows error codes.

Automated clipping speed

The control system measures the speed of the machine on the track and automatically adjusts the start of the clipping operation to get a perfect result and avoid damage to the machine and/or the track.

Raised tools

Tools are raised when not in use, eliminating the risk of collision with shoulders, fishplates and ballast. It is no longer necessary to remove the clipping pads on the tools when it is not used, which saves time in the track.

Guiding rollers

Guiding rollers ensure the Clip Driver is centred on the track.

Rapid height adjustment

The machine's height can be adjusted quickly and easily for various rail types by moving the position of a pin.

Lightweight design

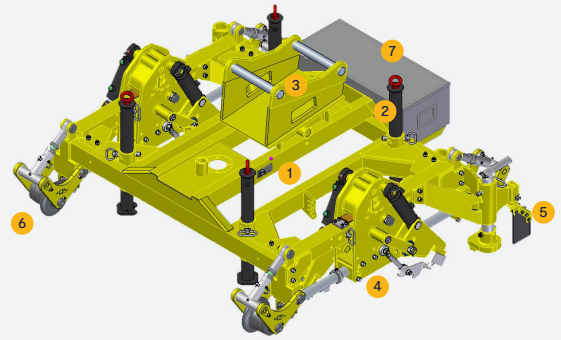
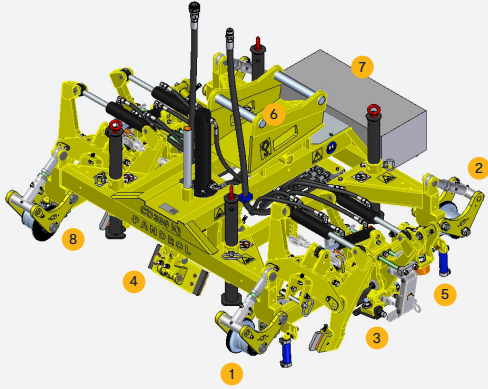
Clip Drivers weigh less than 1000 kg and can be used with smaller road-rail machines from 6 tonnes upwards.

Proven technology

The machine's design is based on the same proven technology as Clip Driver CD400 (clipping tools and sleeper lift). As a result, it is robust and reliable and has reduced need for spare parts.

→ ADVANTAGES

- Clip Drivers intelligent control system makes the machine easy and intuitive to use. The error codes enable faster fault-finding.
- Automated control of the start of the clipping operation prevents faulty installation and damage to the machine and track.
- The machine's light weight makes it easier to lift on and off the track and means that it can be used with a wide range of road-rail machines.
- Risk of damage to the machine and track is further reduced because tools are raised when not in use. This also saves time.
- Quick height adjustment saves a great deal of time, particularly when using the machine on different rails.
- Clip Drivers are reliable and need few spare parts, making it a cost-effective option.



→ COMPONENTS CD300 IQ

- | | |
|-------------------------------|------------------------------|
| 1. Automatic system | 5. Guiding rollers |
| 2. Quick adjustment of height | 6. Machine interface bracket |
| 3. Foldable Fastclip tools | 7. Toolbox |
| 4. Sleeper lift | 8. Supporting legs |

→ COMPONENTS CD300 IQ EC

- | | |
|------------------------------|----------------|
| 1. Identification plate | 5. Clipcatcher |
| 2. Supporting legs | 6. Railwheel |
| 3. Machine interface bracket | 7. Toolbox |
| 4. Clipping/De-clipping tool | |

→ SPECIFICATIONS

Technical data		
Description	CD300 IQ	CD300 EC
Clips	FC and FE	e-Clip and PR clip
L x W x H	1790 x 2222 x 1034 mm	1790 x 2222 x 1034 mm
Weight	990 kg	840 kg
Clipping / Declipping	4 clips per cycle / 4 clips per cycle	4 clips per cycle / 2 clips per cycle
Capacity	Up to 40 sleepers/min	Up to 20 sleepers/min
Wheels	Ø 125 mm	Ø 125 mm
Track gauge	1435 mm	1435 mm

Accessories	
5014482	S45 bracket
5014954	S50 bracket
5015480	S60 bracket
5015528	Bluetooth option (only fastclip)
On demand	Brackets for lift with forks
On demand	Remote joystick

Standard compliance

- Machinery directive 2006/42/EC
- Electromagnetic compatibility (EMC) 2014/30/EU
- Safety of machinery – General principles for design. Risk assessment and risk reduction EN ISO 12100:2010
- Safety of machinery – Electrical equipment SS-EN 60204-1
- Safety of machinery – Control systems EN ISO 13849-1:2015

Approved by :

SNCF PRODUCT ACCEPTANCE No :
AGT 24002

In partnership with



→ LEARN MORE



www.pandrol.com